

TAMPER RESISTANT
PIN IN HEX FLAT
HEAD STAINLESS
SCREWS

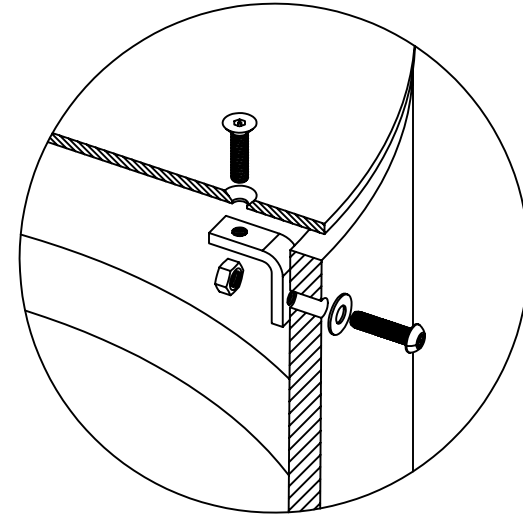
ULTRASEALED 3/16 IN.
THICK STEEL LID

STAINLESS STEEL
BRACKET

TAMPER RESISTANT
PIN IN HEX BUTTON
HEAD STAINLESS SCREWS

24 IN.
PLASTIC

10 IN.
NOM.



TAMPER RESISTANT SCREWS REQUIRE
PART "FHS48STPSSANK" TO INSTALL.
THIS ITEM IS SOLD SEPARATELY

EST. WEIGHT 27 LBS

APPROVED

AS DRAWN: _____
 AS NOTED: _____
DATE: _____

THIS DOCUMENT AND THE CONTENTS
THEREOF IS THE PROPERTY OF
HARGER INC., AND IS FURNISHED TO
YOU FOR INFORMATION ONLY. THE
INFORMATION CONTAINED HEREIN IS
CONFIDENTIAL AND OF A PROPRIETARY
NATURE AND MUST NOT BE DISCLOSED
TO THIRD PARTIES WITHOUT THE
EXPRESS WRITTEN APPROVAL OF
HARGER INC.

LET	REVISION	DATE	BY

TOLERANCES UNLESS NOTED:
FRACTIONAL +/- 1/16
.00 +/- .030
.000 +/- .010

3RD ANGLE
PROJECTION

PART NO. 360PBSTP
TEST WELL

DRAWN BY:
LAL
CHECKED BY:
-
DATE:
120308



301 ZIEGLER DRIVE
GRAYSLAKE, IL 60030
(847) 548-8700

REVISION:
-
SCALE:
FULL
SHEET:
1 OF 1