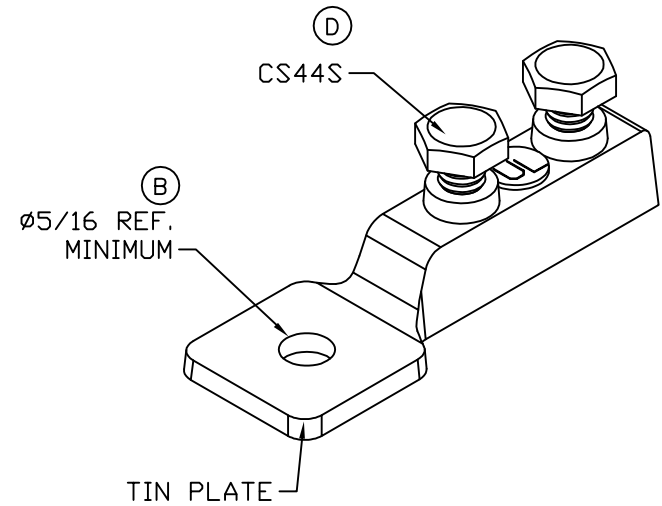



(C)



(A)

PACKAGE 10 PCS PER 4x4x4 BOX
80 PCS PER 9x9x9 MASTER CARTON

THIS DOCUMENT AND THE CONTENTS THEREOF IS THE PROPERTY OF HARGER INC., AND IS FURNISHED TO YOU FOR INFORMATION ONLY. THE INFORMATION CONTAINED HEREIN IS CONFIDENTIAL AND OF A PROPRIETARY NATURE AND MUST NOT BE DISCLOSED TO THIRD PARTIES WITHOUT THE EXPRESS WRITTEN APPROVAL OF HARGER INC.					PART NO. 216 BRONZE BUS TERMINAL		REVISION: D
	D	WAS MS44S	073106	LAL			
	C	WAS 17/64 (0.265)	101503	WSM			SCALE: FULL
	B	ADDED REF DIM	100903	LAL	DRAWN BY:	 301 ZIEGLER DRIVE GRAYSLAKE, IL 60030 (847) 548-8700	SHEET: -
	A	ADDED PACKAGING	-	-	CHECKED BY:		
	LET	REVISION	DATE	BY	DATE: 031400		
TOLERANCES UNLESS NOTED: FRACTIONAL +/- 1/64 .00 +/- .010 .000 +/- .005							