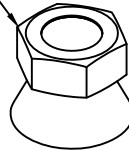
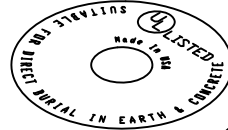
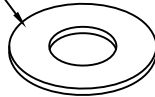




5/16 S.S.
BREAKAWAY NUT

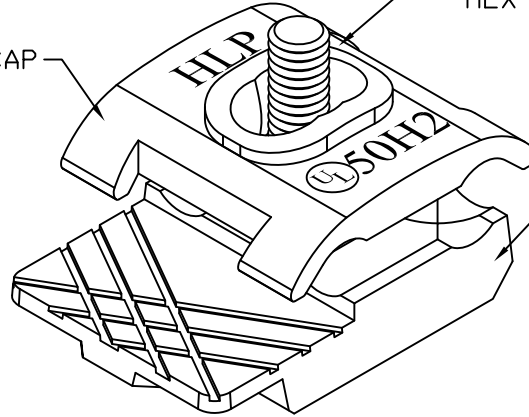


5/16 SS
FLAT WASHER



5/16 x 1 1/4 SS
HEX BOLT

TINNED BRONZE CAP



TINNED BRONZE
CONNECTOR

#6 THRU 250MCM
UP TO 1/2 IN.
THICK STEEL

TINNED BRONZE CABLE TO FLAT CONNECTOR

EST WT 0.39#

APPROVED

AS DRAWN: _____
 AS NOTED: _____
 DATE: _____

THIS DOCUMENT AND THE CONTENTS THEREOF IS THE PROPERTY OF HARGER INC., AND IS FURNISHED TO YOU FOR INFORMATION ONLY. THE INFORMATION CONTAINED HEREIN IS CONFIDENTIAL AND OF A PROPRIETARY NATURE AND MUST NOT BE DISCLOSED TO THIRD PARTIES WITHOUT THE EXPRESS WRITTEN APPROVAL OF HARGER INC.

LET	REVISION	DATE	BY
TOLERANCES UNLESS NOTED:		3RD ANGLE PROJECTION	
FRACTIONAL +/- 1/16			
DECIMAL +/- .030			
REMOVE ALL BURRS/FLASH		DATE: 120513	

PART NO. 213TTP
CABLE CONNECTOR

DRAWN BY:
LAL
CHECKED BY:
DATE:
120513



301 ZIEGLER DRIVE
GRAYSLAKE, IL 60030
(847) 548-8700

REVISION:
-
SCALE:
FULL
SHEET:
1 OF 1