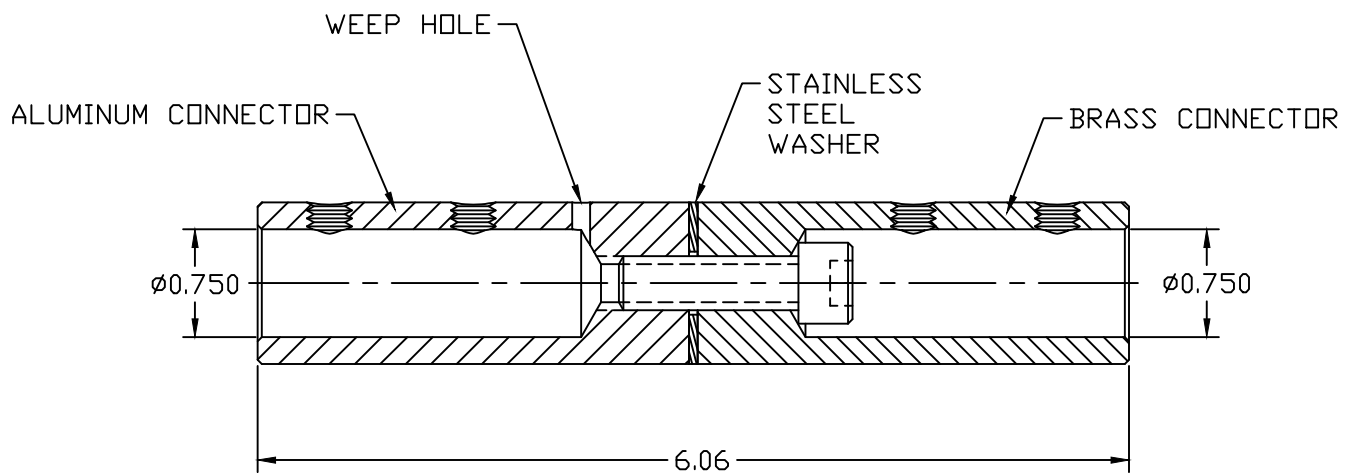
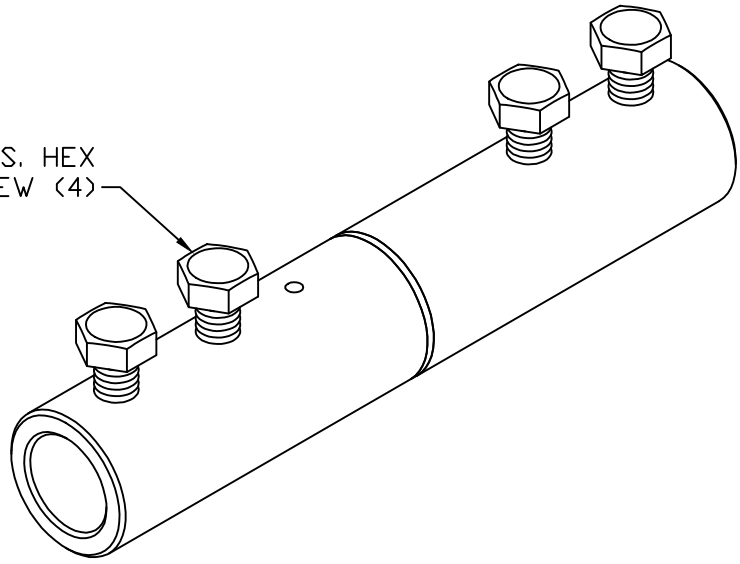


5/16 S.S. HEX  
CAP SCREW (4)



**BI-METAL CONNECTOR**

EST WT 0.9#

**APPROVED**

THIS DOCUMENT AND THE CONTENTS THEREOF IS THE PROPERTY OF HARGER INC., AND IS FURNISHED TO YOU FOR INFORMATION ONLY. THE INFORMATION CONTAINED HEREIN IS CONFIDENTIAL AND OF A PROPRIETARY NATURE AND MUST NOT BE DISCLOSED TO THIRD PARTIES WITHOUT THE EXPRESS WRITTEN APPROVAL OF HARGER INC.

AS DRAWN: \_\_\_\_\_  
 AS NOTED: \_\_\_\_\_  
 DATE: \_\_\_\_\_

C	REDESIGNED FOR SHCS	021408	LAL
B	HARGER UL STAMP ADDED	021208	DVB
A	NEW WASHER	011101	EHS
LET	REVISION	DATE	BY
TOLERANCES UNLESS NOTED:		3RD ANGLE PROJECTION	
FRACTIONAL	+/- 1/16		
.00	+/- .03		
.000	+/- .010		

**PART NO. 211XL**  
 6" BI-METAL CONNECTOR

DRAWN BY:  
 SSS  
 CHECKED BY:  
 DATE:  
 091495



301 ZIEGLER DRIVE  
 GRAYSLAKE, IL 60030  
 (847) 548-8700

REVISION:  
 C  
 SCALE:  
 1/2  
 SHEET:  
 1 OF 1