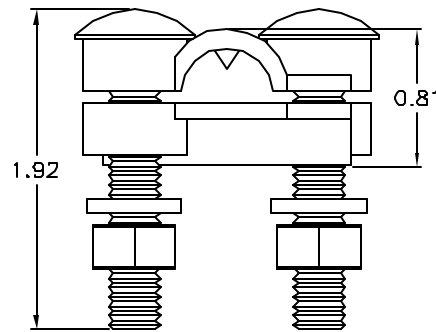
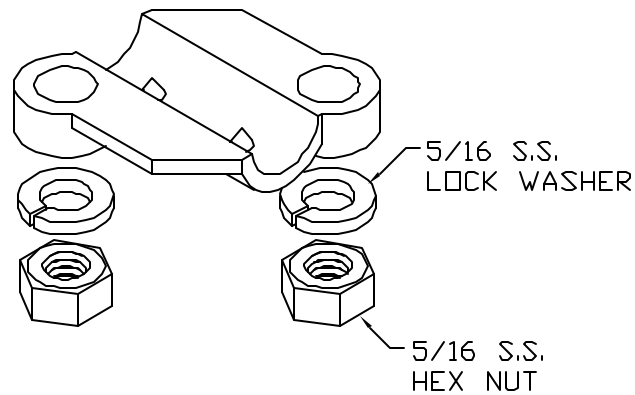


NOTES:

1. 1-1/2" x 1-1/2" TWO PIECE TINNED CONNECTOR USED FOR SPLICING CABLES AND RODS.
2. ACCOMMODATES ALL STANDARD SIZE CLASS I AND CLASS II CONDUCTORS UP TO 9/16" DIAMETER.
3. 5/16 x 1-3/4" STAINLESS STEEL CARRIAGE BOLTS, LOCK WASHERS AND NUTS INCLUDED.
4. #210 MANUFACTURED FROM HIGH CONDUCTIVITY BRONZE ALLOY
5. PACKAGE:
10 PCS PER 4X4X4
80 PCS PER 9X9X9



ASSEMBLY VIEW

TINNED BRONZE CROSS
RUN CONNECTOR

EST WT 0.34#

APPROVED

AS DRAWN: _____

AS NOTED: _____

DATE: _____

THIS DOCUMENT AND THE CONTENTS THEREOF IS THE PROPERTY OF HARGER INC., AND IS FURNISHED TO YOU FOR INFORMATION ONLY. THE INFORMATION CONTAINED HEREIN IS CONFIDENTIAL AND OF A PROPRIETARY NATURE AND MUST NOT BE DISCLOSED TO THIRD PARTIES WITHOUT THE EXPRESS WRITTEN APPROVAL OF HARGER INC.

A	WAS HHCS ECO 0057	072313	LAL		
LET	REVISION	DATE	BY		
TOLERANCES UNLESS NOTED:			3RD ANGLE		
	FRACTIONAL	+/- 1/16	PROJECTION		
	.00	+/- .030			
	.000	+/- .010			

PART NO. 210T
BRONZE CROSS RUN CONNECTOR

DRAWN BY:
KAB

CHECKED BY:
-

DATE:
031508

HARGER™

301 ZIEGLER DRIVE
GRAYSLAKE, IL 60030
(847) 548-8700

REVISION:
A

SCALE:
7/8

SHEET:
1 OF 1