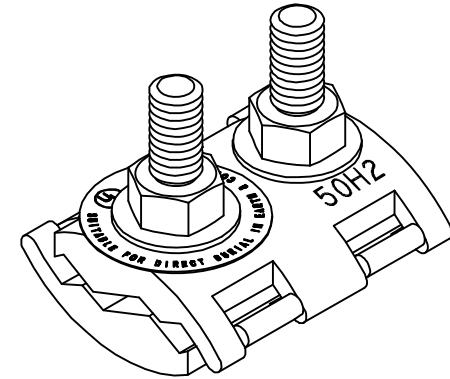
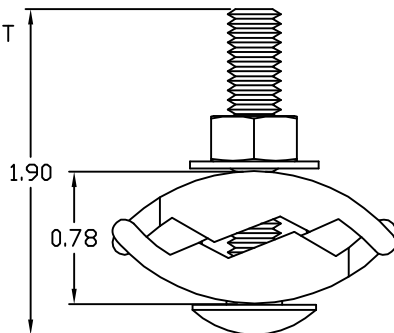
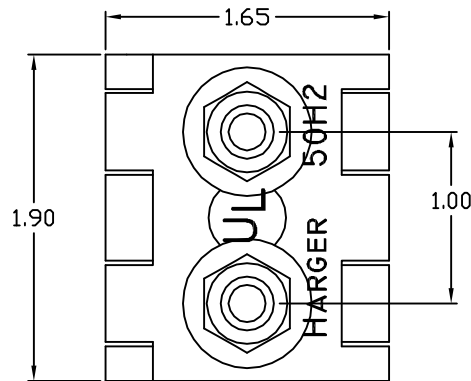


ASSEMBLY VIEW



NOTES:

1. 2" x 1-3/4" TWO PIECE CONNECTOR USED FOR SPLICING CABLES AND RODS.
2. ACCOMMODATES ALL STANDARD SIZE CLASS I AND CLASS II CONDUCTORS UP TO 9/16" DIAMETER.
3. ACCOMMODATES GROUND CABLE SIZES RANGING FROM #6 AWG THROUGH 4/0.
4. 5/16" X 1-3/4" STAINLESS STEEL CARRIAGE BOLTS, FLAT WASHERS AND NUTS INCLUDED.
5. #204 MANUFACTURED FROM 91-2-7 BRONZE ALLOY.
6. PACKAGE:
 - Ⓐ 10 PCS PER 4X4X4
 - Ⓑ 80 PCS PER 9X9X9



DIRECT BURIAL LABEL

BRONZE 2 BOLT PARALLEL CONNECTOR



EST. WEIGHT 0.41 LBS

APPROVED

AS DRAWN: _____

AS NOTED: _____

DATE: _____

THIS DOCUMENT AND THE CONTENTS THEREOF IS THE PROPERTY OF HARGER INC., AND IS FURNISHED TO YOU FOR INFORMATION ONLY. THE INFORMATION CONTAINED HEREIN IS CONFIDENTIAL AND OF A PROPRIETARY NATURE AND MUST NOT BE DISCLOSED TO THIRD PARTIES WITHOUT THE EXPRESS WRITTEN APPROVAL OF HARGER INC.

B	ADDED DB LABEL	111407	LAL
A	ADD PACKAGE NOTE	081604	EHS
LET	REVISION	DATE	BY
TOLERANCES UNLESS NOTED:		3RD ANGLE PROJECTION	
FRACTIONAL	+/- 1/16		
.00	+/- .030		
.000	+/- .010		

PART NO. 204
BRONZE 2 BOLT PARALLEL CONNECTOR

DRAWN BY: KAB

CHECKED BY: _____

DATE: 031400



301 ZIEGLER DRIVE
GRAYSLAKE, IL 60030
(847) 548-8700

REVISION: B

SCALE: 7/8

SHEET: 1 OF 1