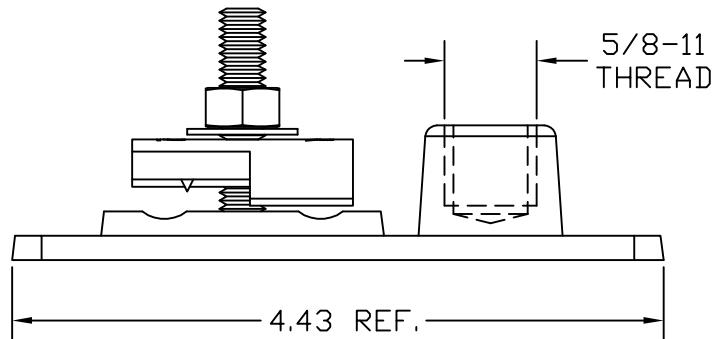
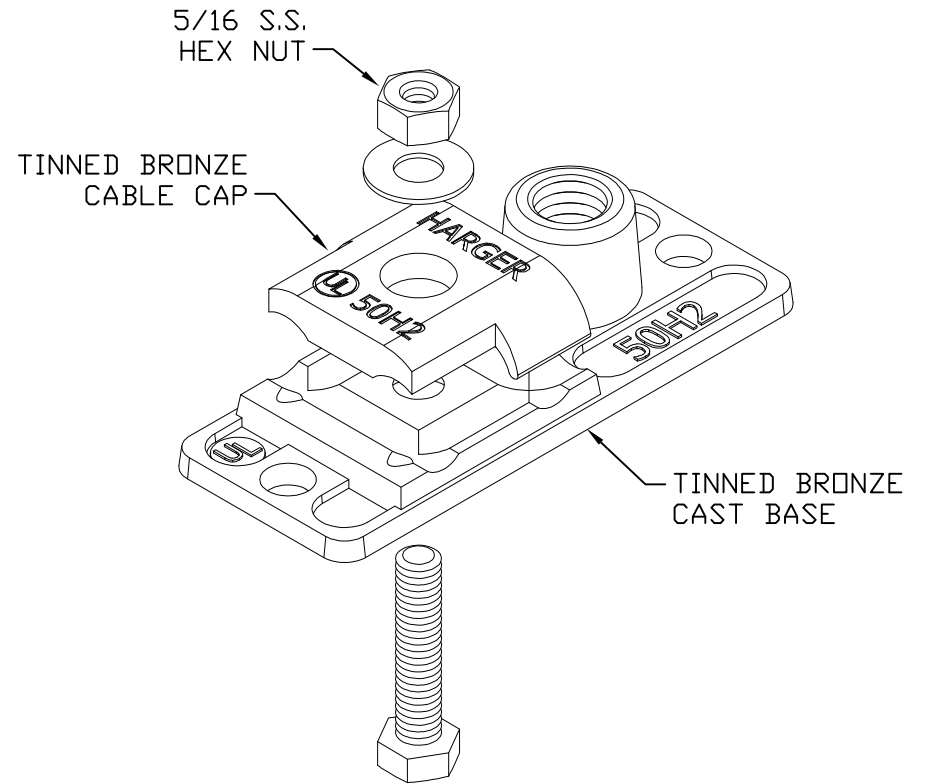


Ø0.328 MIN.  
(2) PLS



**BRONZE RECTANGULAR HORIZONTAL BASE**

EST WT 0.68#

**APPROVED**

AS DRAWN: \_\_\_\_\_  
 AS NOTED: \_\_\_\_\_  
 DATE: \_\_\_\_\_

THIS DOCUMENT AND THE CONTENTS THEREOF IS THE PROPERTY OF HARGER INC., AND IS FURNISHED TO YOU FOR INFORMATION ONLY. THE INFORMATION CONTAINED HEREIN IS CONFIDENTIAL AND OF A PROPRIETARY NATURE AND MUST NOT BE DISCLOSED TO THIRD PARTIES WITHOUT THE EXPRESS WRITTEN APPROVAL OF HARGER INC.

LET	REVISION	DATE	BY

TOLERANCES UNLESS NOTED:  
 FRACTIONAL +/- 1/16  
 DECIMAL +/- .030  
 BREAK SHARP EDGES

3RD ANGLE PROJECTION

**PART NO. 15158IT**  
 BRONZE RECTANGULAR HORIZONTAL BASE

DRAWN BY:  
LAL  
 CHECKED BY:  
-  
 DATE:  
081314



301 ZIEGLER DRIVE  
 GRAYSLAKE, IL 60030  
 (847) 548-8700

REVISION:  
-  
 SCALE:  
3/4  
 SHEET:  
1 OF 1