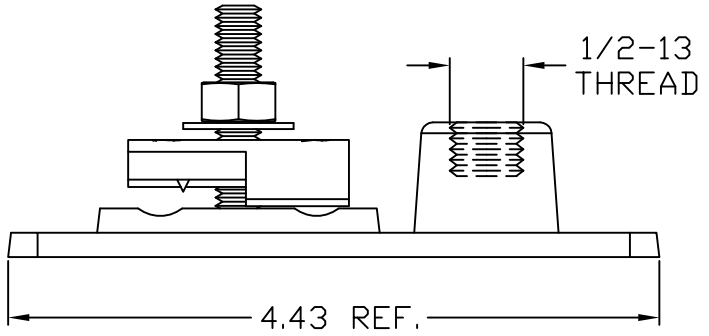
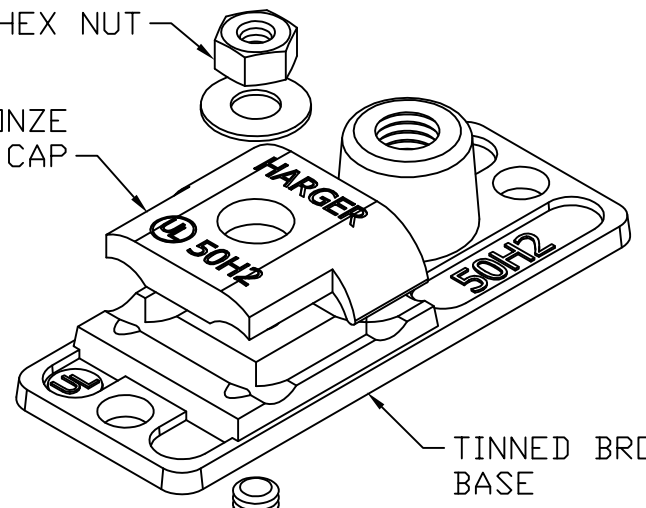


Ø0.328 MIN.  
(2) PLS

5/16 S.S.  
HEX NUT

TINNED BRONZE  
CABLE CAP



**BRONZE RECTANGULAR HORIZONTAL BASE**

EST WT 0.68#

**APPROVED**

AS DRAWN: \_\_\_\_\_

AS NOTED: \_\_\_\_\_

DATE: \_\_\_\_\_

THIS DOCUMENT AND THE CONTENTS THEREOF IS THE PROPERTY OF HARGER INC., AND IS FURNISHED TO YOU FOR INFORMATION ONLY. THE INFORMATION CONTAINED HEREIN IS CONFIDENTIAL AND OF A PROPRIETARY NATURE AND MUST NOT BE DISCLOSED TO THIRD PARTIES WITHOUT THE EXPRESS WRITTEN APPROVAL OF HARGER INC.

B	NEW DESIGN ECO 0056	042914	LAL
A	ADDED PACKAGING	070605	LAL
LET	REVISION	DATE	BY
TOLERANCES UNLESS NOTED:		3RD ANGLE PROJECTION	
FRACTIONAL +/- 1/16			
DECIMAL +/- .030			
BREAK SHARP EDGES			

**PART NO. 15112IT**  
BRONZE RECTANGULAR HORIZONTAL BASE

DRAWN BY:  
EHS

CHECKED BY:  
-

DATE:  
071502



301 ZIEGLER DRIVE  
GRAYSLAKE, IL 60030  
(847) 548-8700

REVISION:  
B

SCALE:  
3/4

SHEET:  
1 OF 1