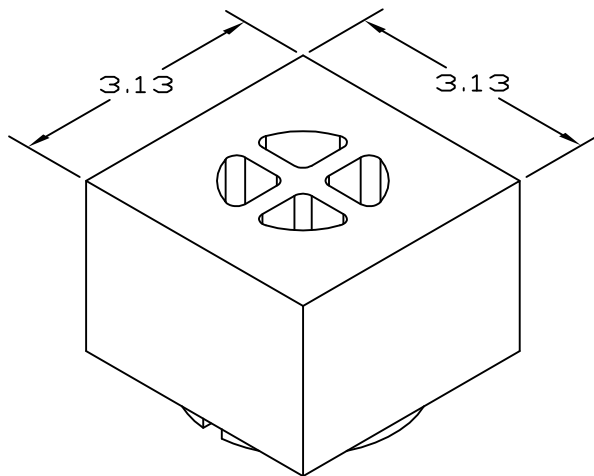
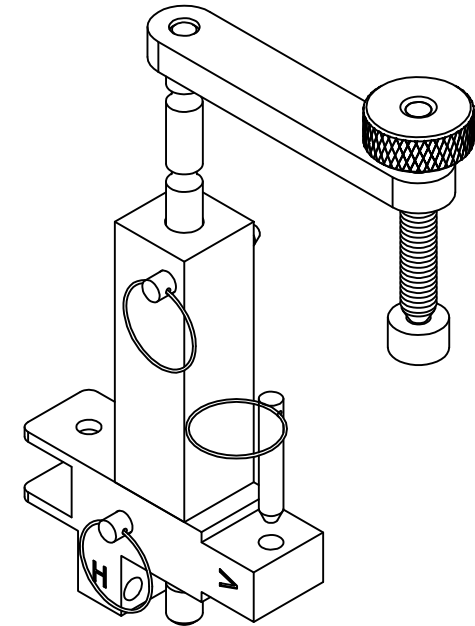


FIBER FILTER X (10) PCS  
POLYBAG



FILTER HOUSING FOR  
150-300 MOLDS



LOW SMOKE ADAPTER

EST WT 6#

APPROVED

AS DRAWN: \_\_\_\_\_  
 AS NOTED: \_\_\_\_\_  
 DATE: \_\_\_\_\_

THIS DOCUMENT AND THE CONTENTS THEREOF IS THE PROPERTY OF HARGER INC., AND IS FURNISHED TO YOU FOR INFORMATION ONLY. THE INFORMATION CONTAINED HEREIN IS CONFIDENTIAL AND OF A PROPRIETARY NATURE AND MUST NOT BE DISCLOSED TO THIRD PARTIES WITHOUT THE EXPRESS WRITTEN APPROVAL OF HARGER INC.

LET	REVISION	DATE	BY

TOLERANCES UNLESS NOTED:  
 FRACTIONAL +/- 1/16  
 .00 +/- .03  
 .000 +/- .015

PART NO. USSKIT2  
 LOW EMISSION KIT 150-300

DRAWN BY:  
LAL  
 CHECKED BY:  
 DATE:  
010714

**HARGER™**  
 301 ZIEGLER DRIVE  
 GRAYSLAKE, IL 60030  
 (847) 548-8700

REVISION:  
-  
 SCALE:  
1/2  
 SHEET:  
-