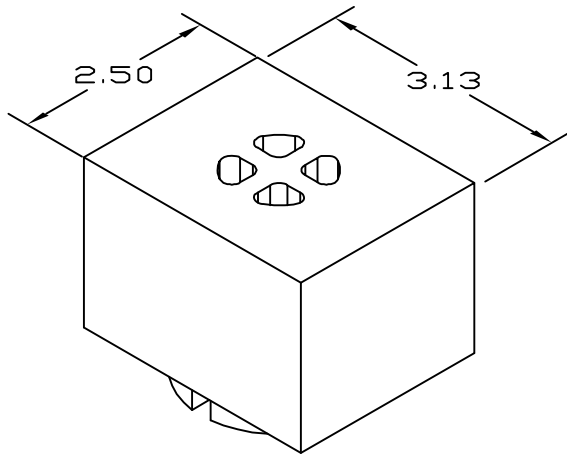
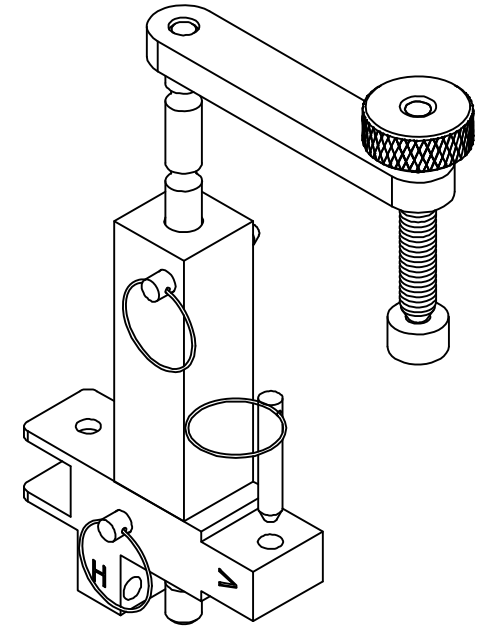


FIBER FILTER X (10) PCS
POLYBAG



FILTER HOUSING FOR
25-115 MOLDS



LOW SMOKE ADAPTER

LOW SMOKE NO FLAME KIT 25-115

EST WT 6#

APPROVED

AS DRAWN: _____
 AS NOTED: _____
 DATE: _____

THIS DOCUMENT AND THE CONTENTS THEREOF IS THE PROPERTY OF HARGER INC., AND IS FURNISHED TO YOU FOR INFORMATION ONLY. THE INFORMATION CONTAINED HEREIN IS CONFIDENTIAL AND OF A PROPRIETARY NATURE AND MUST NOT BE DISCLOSED TO THIRD PARTIES WITHOUT THE EXPRESS WRITTEN APPROVAL OF HARGER INC.

LET	REVISION	DATE	BY
-	-	-	-
TOLERANCES UNLESS NOTED:		3RD ANGLE PROJECTION	
FRACTIONAL +/- 1/16			
DECIMAL +/- .030			
BREAK SHARP EDGES			

PART NO. USSKIT1
LOW SMOKE KIT

DRAWN BY:
LAL
CHECKED BY:
DATE:
010714



301 ZIEGLER DRIVE
GRAYSLAKE, IL 60030
(847) 548-8700

REVISION:
-
SCALE:
1/2
SHEET:
1 OF 1