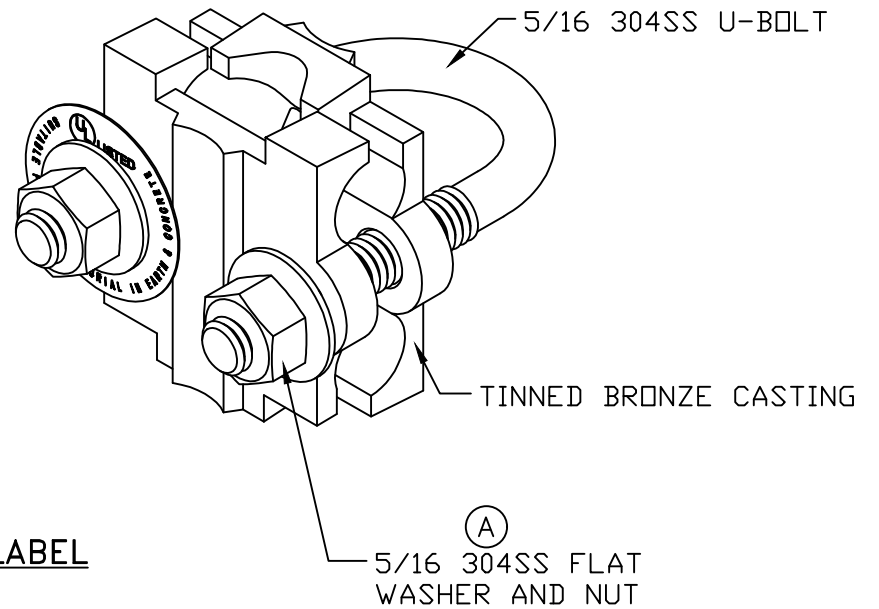


DIRECT BURIAL LABEL



FOR NOMINAL PIPE 1/2 TO 3/4  
CONDUCTOR SIZES 6AWG STR. TO  
250MCM

(A)

1/2-3/4" BRONZE PIPE CLAMP

EST WT 0.47#

APPROVED

AS DRAWN: \_\_\_\_\_  
 AS NOTED: \_\_\_\_\_  
DATE: \_\_\_\_\_

THIS DOCUMENT AND THE CONTENTS THEREOF IS THE PROPERTY OF HARGER INC., AND IS FURNISHED TO YOU FOR INFORMATION ONLY. THE INFORMATION CONTAINED HEREIN IS CONFIDENTIAL AND OF A PROPRIETARY NATURE AND MUST NOT BE DISCLOSED TO THIRD PARTIES WITHOUT THE EXPRESS WRITTEN APPROVAL OF HARGER INC.

D	ADDED MARKING ECO0116	090916	LAL
C	ADDED DB LABEL	111507	LAL
B	RAW CASTING TINNED	040502	WSM
A	CORRECTED AND ADDED	032502	LAL
LET	REVISION	DATE	BY
TOLERANCES UNLESS NOTED:		3RD ANGLE PROJECTION	
FRACTIONAL +/- 1/16			
DECIMAL +/- .030			
REMOVE ALL BURRS/FLASH			

PART NO. CPC.5/.75  
GROUND ROD/PIPE CLAMP

DRAWN BY:  
KAB  
CHECKED BY:  
DATE:  
092100



301 ZIEGLER DRIVE  
GRAYSLAKE, IL 60030  
(847) 548-8700

REVISION:  
D  
SCALE:  
FULL  
SHEET:  
1 OF 1