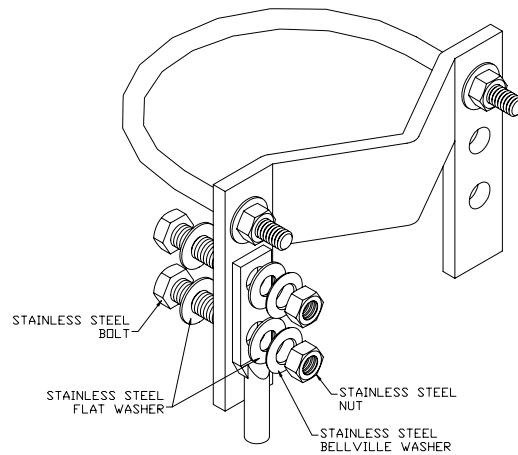


UL 2S01



#UPCXL UNIVERSAL PIPE CLAMPS

DESCRIPTION

- Electro-tin plated copper pipe clamps.

FEATURES

- Clamps provide 1-1/2" of contact area to ensure sufficient electrical contact for both ground fault and lightning current.
- These clamps can be connected to ground conductors via exothermic connections and/or standard compression lug.
- Extra hole allows for the mounting of a 2-hole lug, 1" on center with 3/8" hardware, independent of the u-bolt.
- For round members from 3/4" to 6"
- Dual Listed for UL467 and UL96

APPLICATION

- For bonding of round members when exothermic connections are not recommended.

301 Ziegler Drive, Grayslake, IL 60030
847-548-8700 • 800-842-7437 • Fax: 847-548-8755
Web-site: www.harger.com • E-mail: hargersales@harger.com