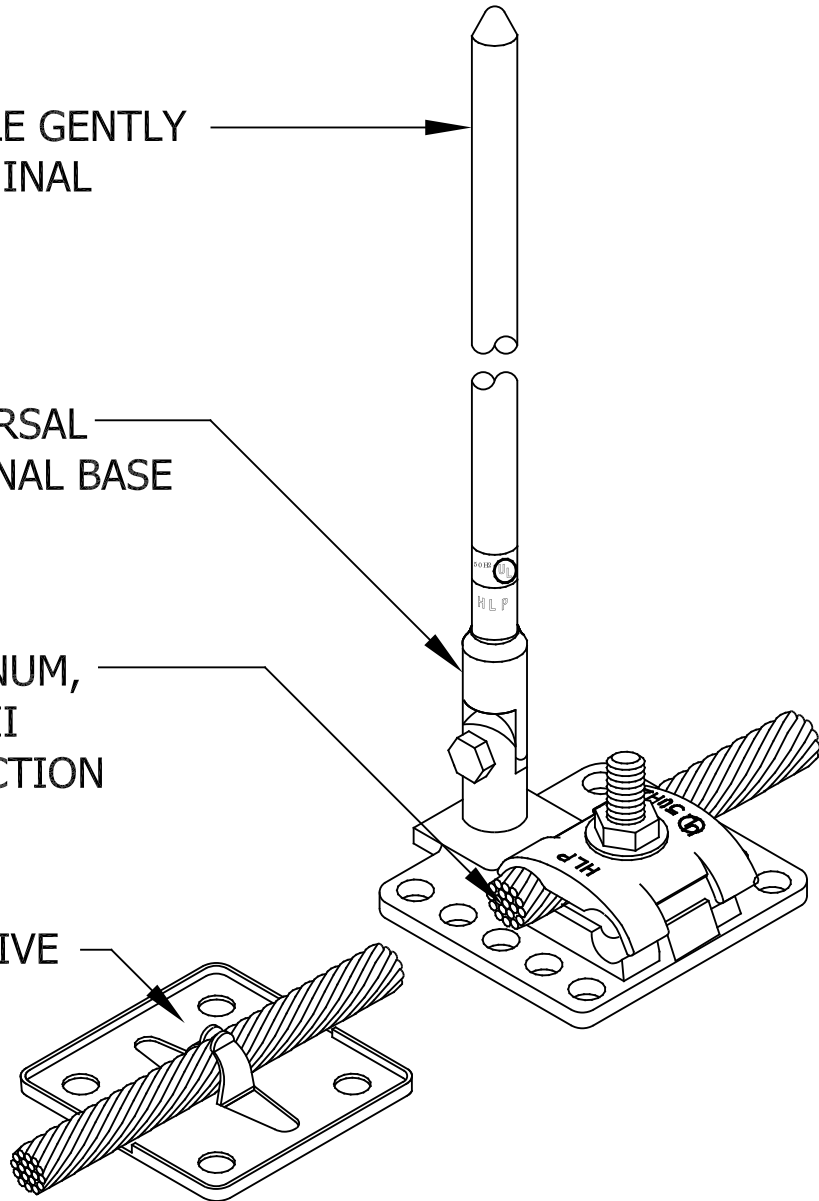


CUAT / ALAT - STYLE GENTLY
TAPERED AIR TERMINAL

UBS - STYLE UNIVERSAL
SWIVAL AIR TERMINAL BASE

COPPER OR ALUMINUM,
CLASS I OR CLASS II
LIGHTNING PROTECTION
CONDUCTOR

262 - STYLE ADHESIVE
CABLE FASTENER



UBS - STYLE AIR TERMINAL BASE WITH 262

HARGER LIGHTNING & GROUNDING

847-548-8700 • 800-842-7437 • www.harger.com