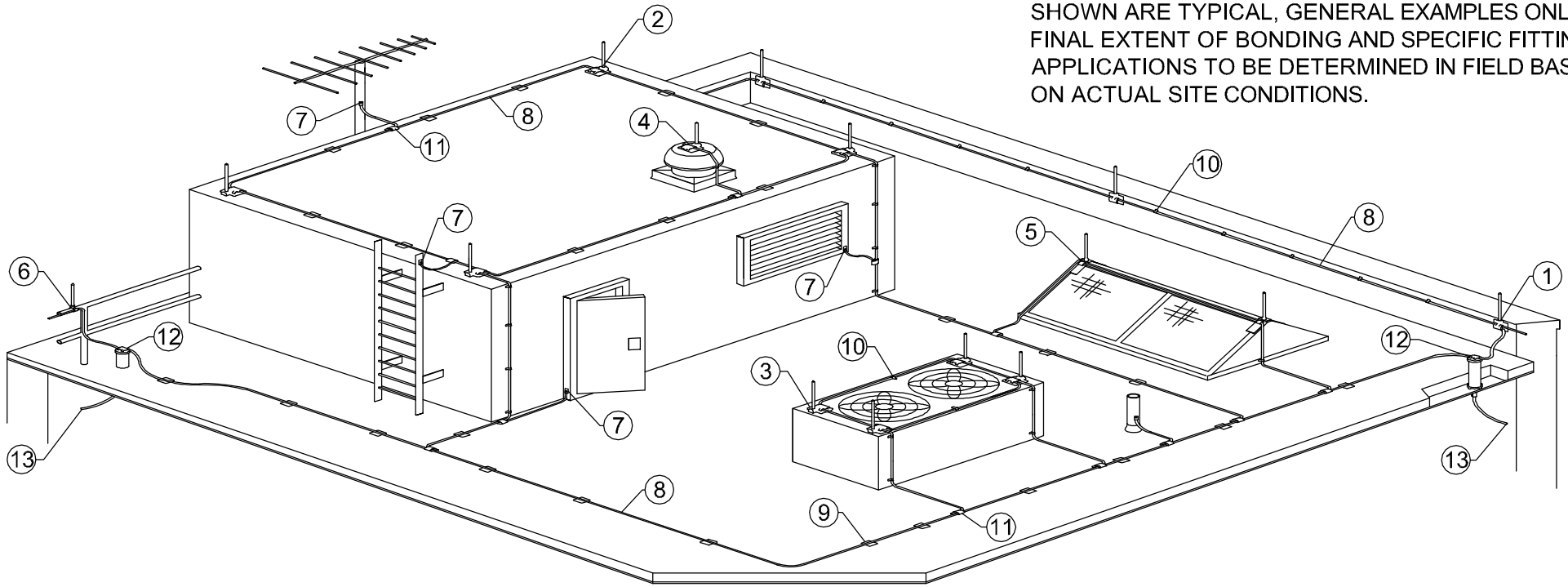


BONDING DETAILS AND AIR TERMINAL LOCATIONS SHOWN ARE TYPICAL, GENERAL EXAMPLES ONLY. FINAL EXTENT OF BONDING AND SPECIFIC FITTING APPLICATIONS TO BE DETERMINED IN FIELD BASED ON ACTUAL SITE CONDITIONS.



- |   |   |
|---|---|
| <p>① VERTICALLY MOUNTED AIR TERMINAL ON PARAPET SPACE 20 FEET MAXIMUM. SEE AIR TERMINAL DETAIL.</p> <p>② HORIZONTALLY MOUNTED AIR TERMINAL ON ROOF SPACE 20 FEET MAXIMUM. SEE AIR TERMINAL DETAIL.</p> <p>③ AIR TERMINALS MOUNTED ON MECHANICAL EQUIPMENT ENCLOSURE.</p> <p>④ AIR TERMINAL MOUNTED ON EXHAUST FAN ('DEAD-END' METHOD).</p> <p>⑤ AIR TERMINAL ON SKYLIGHT WITH SADDLE TYPE AIR TERMINAL BASE.</p> <p>⑥ AIR TERMINAL MOUNTED ON GUARDRAIL WITH PIPE RAILING BASE.</p> | <p>⑦ BOND WINDOW, DOOR FRAMES, V.T.R.'S, LADDERS, AND ANTENNAS, OR ANY METALLIC OBJECTS WITH BONDING LUGS AND SECONDARY CONDUCTOR.</p> <p>⑧ MAIN LIGHTNING CONDUCTOR.</p> <p>⑨ ADHESIVE CABLE HOLDER EVERY 3 FEET MAXIMUM SPACING.</p> <p>⑩ CABLE CLIP WITH STAINLESS STEEL SCREWS EVERY 3 FEET MAXIMUM SPACING.</p> <p>⑪ CABLE CONNECTOR.</p> <p>⑫ THRU-ROOF CONNECTOR.</p> <p>⑬ LIGHTNING DOWN CONDUCTOR.</p> |
|---|---|

## TYPICAL ROOF LIGHTNING PROTECTION LAYOUT

HARGER LIGHTNING & GROUNDING  
847-548-8700 • 800-842-7437 • www.harger.com