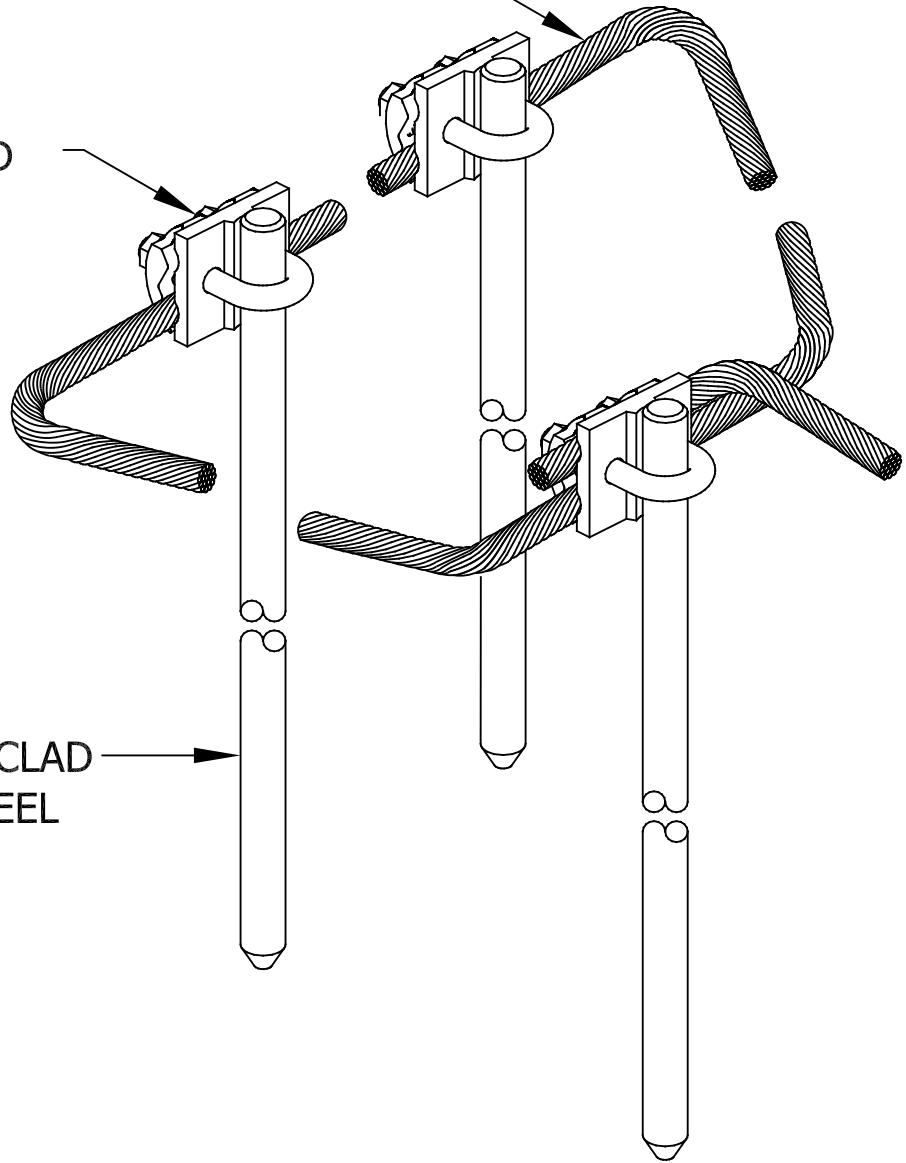


COPPER LIGHTNING
PROTECTION OR GROUNDING
CONDUCTOR

NO. 305 - GROUND
ROD CLAMP

COPPER, COPPER CLAD
OR STAINLESS STEEL
GROUND ROD



305 - DELTA GROUND ROD DETAIL

HARGER LIGHTNING & GROUNDING

847-548-8700 • 800-842-7437 • www.harger.com