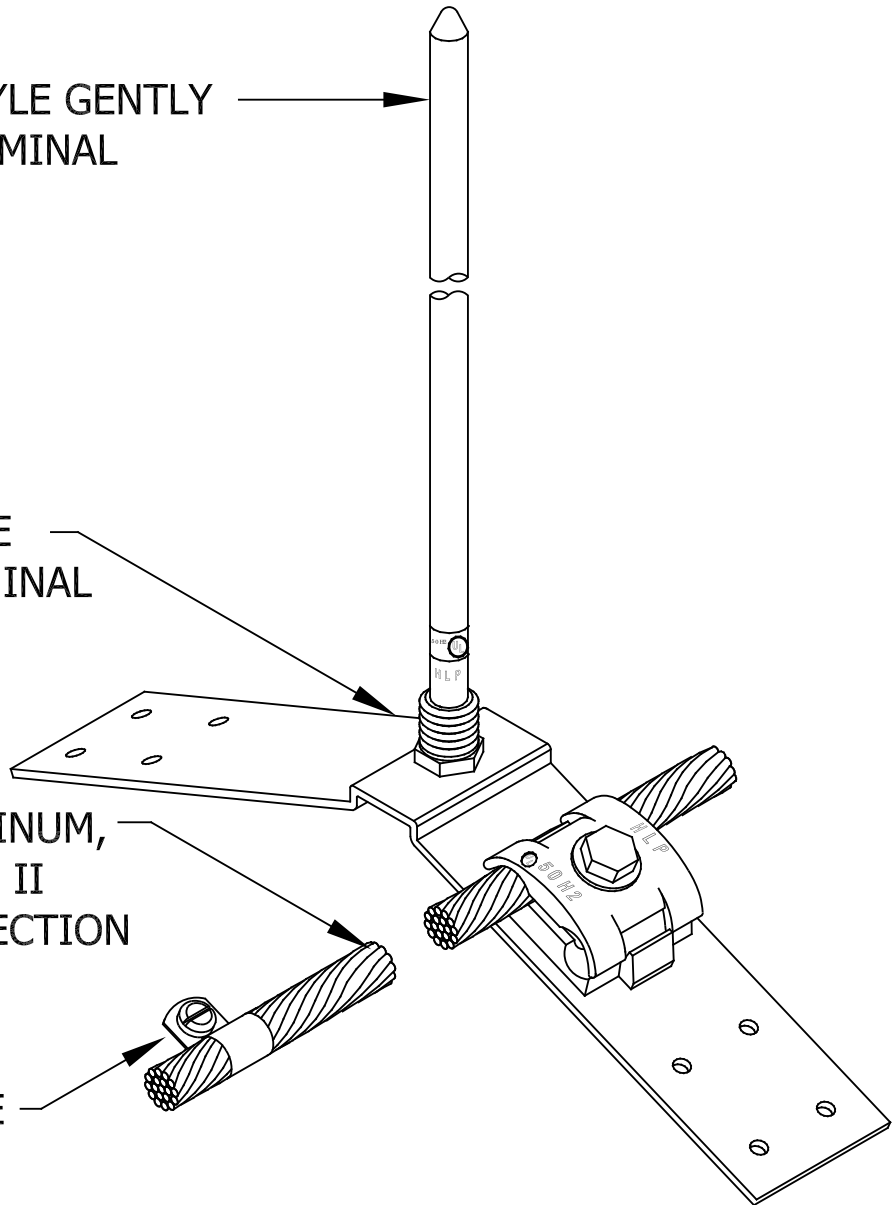


CUAT / ALAT - STYLE GENTLY
TAPERED AIR TERMINAL

160 - STYLE RIDGE
SADDLE AIR TERMINAL
BASE

COPPER OR ALUMINUM,
CLASS I OR CLASS II
LIGHTNING PROTECTION
CONDUCTOR

CCC / ACC - STYLE
CABLE FASTENER



160 - STYLE AIR TERMINAL BASE EXTENSION

HARGER LIGHTNING & GROUNDING

847-548-8700 • 800-842-7437 • www.harger.com