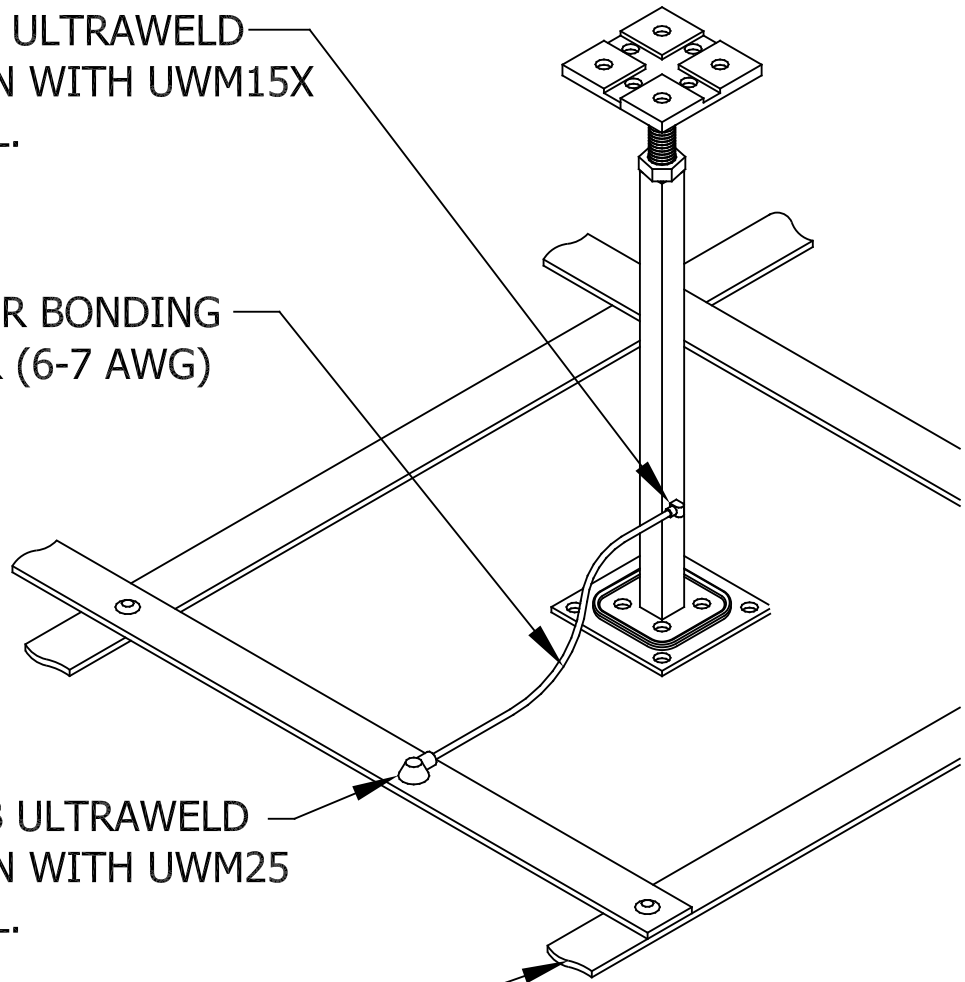


VHO61SQMX ULTRAWELD
CONNECTION WITH UWM15X
WELD METAL.

NO. 6 COPPER BONDING
CONDUCTOR (6-7 AWG)

BCF61.5016B ULTRAWELD
CONNECTION WITH UWM25
WELD METAL.

FLAT STRIP SIGNAL REFERENCE
GRID (SRG) 2"x0.016" COPPER
STRIP ON 2' CENTER TYPICAL.
VERIFY SIZE WITH HARGER
PRIOR TO ORDERING.



VHO - RAISED FLOOR PEDESTAL GROUNDING

HARGER LIGHTNING & GROUNDING

847-548-8700 • 800-842-7437 • www.harger.com