

NOTE: DO NOT
CONNECT GROUNDING
WIRE DIRECTLY TO
ANCHOR BOLT OR NUT

NOTE: TOWER LIGHTNING
REQUIREMENTS TO BE
VERIFIED PRIOR TO
CONSTRUCTION.

ULTRAWELD NO. HD2SA
CONNECTION WITH NO.
UWM45 WELD METAL.

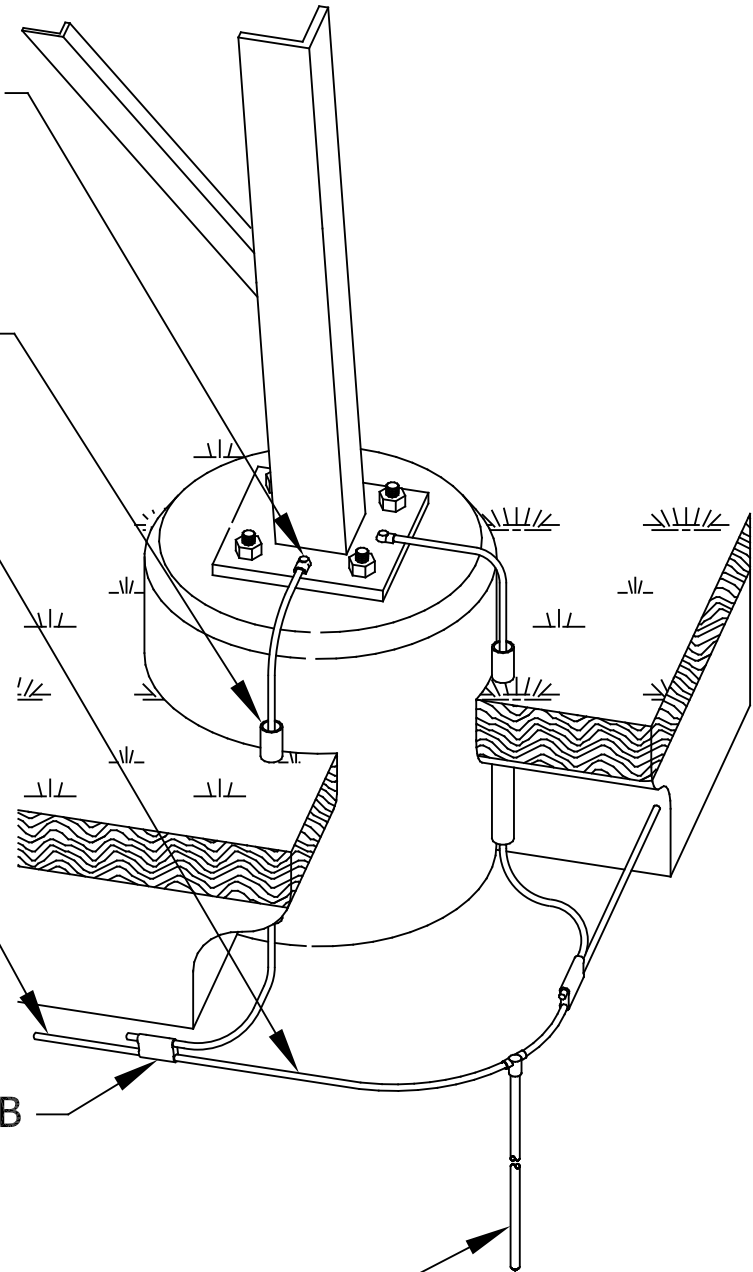
1" PVC CONDUIT TO
EXTEND 16" BELOW
GRADE (TYP.)

NO. 2T, SOFT-DRAWN
TINNED SOLID COPPER
CONDUCTOR, RUN A
MIN. OF 6" BELOW
FROST LINE

TO COMMUNICATIONS
GROUND

ULTRAWELD NO. PT2S2SB
CONNECTION WITH NO.
UWM 65 WELD METAL.

NO. 5810, 5/8" DIA. X 10'-0" COPPER
CLAD GROUND ROD WITH ULTRAWELD
NO. GO582SB CONNECTION AND NO.
UWM90 WELD METAL



LATTICE TOWER GROUNDING DETAIL

HARGER LIGHTNING & GROUNDING

847-548-8700 • 800-842-7437 • www.harger.com