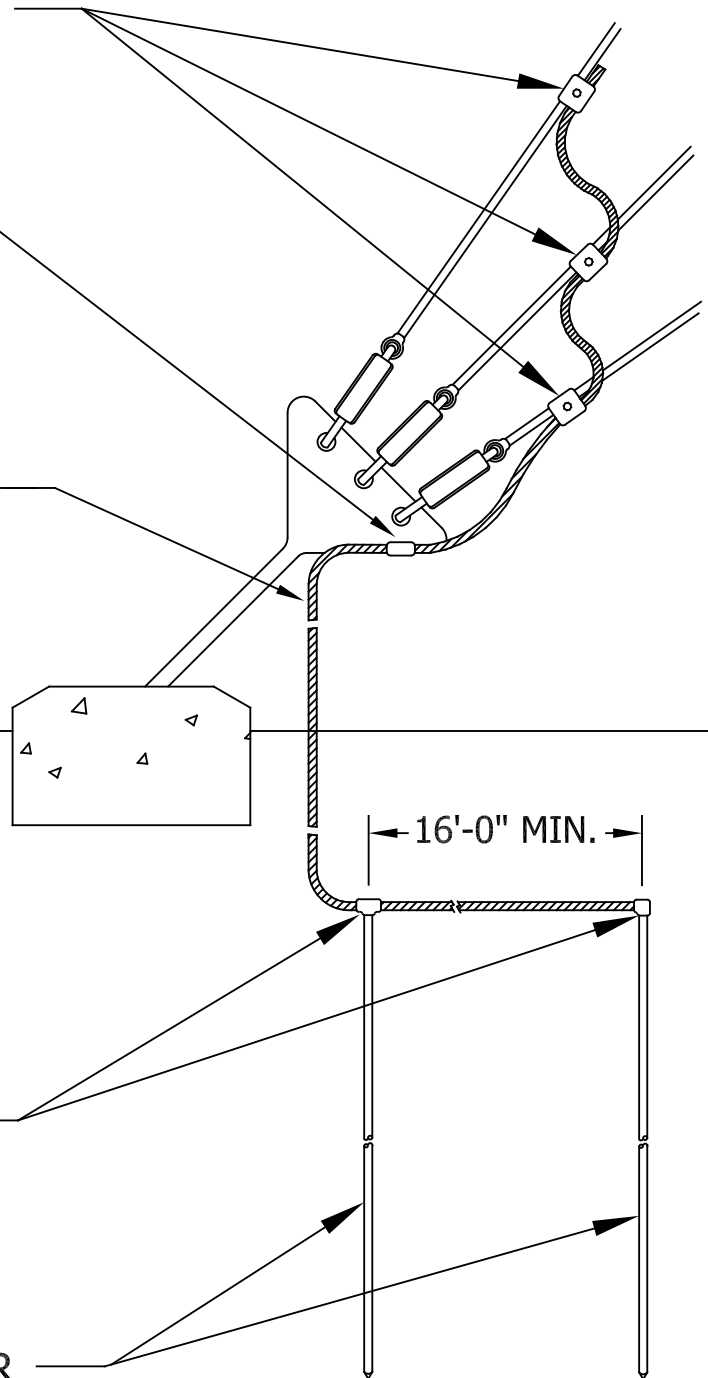


NO. SSC25/875, STAINLESS
STEEL GUY WIRE CLAMP

NO. VT2SB ULTRAWELD
CONNECTION WITH NO.
UWM115 WELD METAL.

NO. 2T TINNED COPPER
CONDUCTOR

GRADE



NO. GO582SB ULTRAWELD
CONNECTION WITH NO.
UWM90 WELD METAL

NO. 5810, 5/8" x 10' COPPER
CLAD GROUND ROD. TYP. OF 2

GUYED ANCHOR GROUNDING DETAIL

HARGER LIGHTNING & GROUNDING

847-548-8700 • 800-842-7437 • www.harger.com