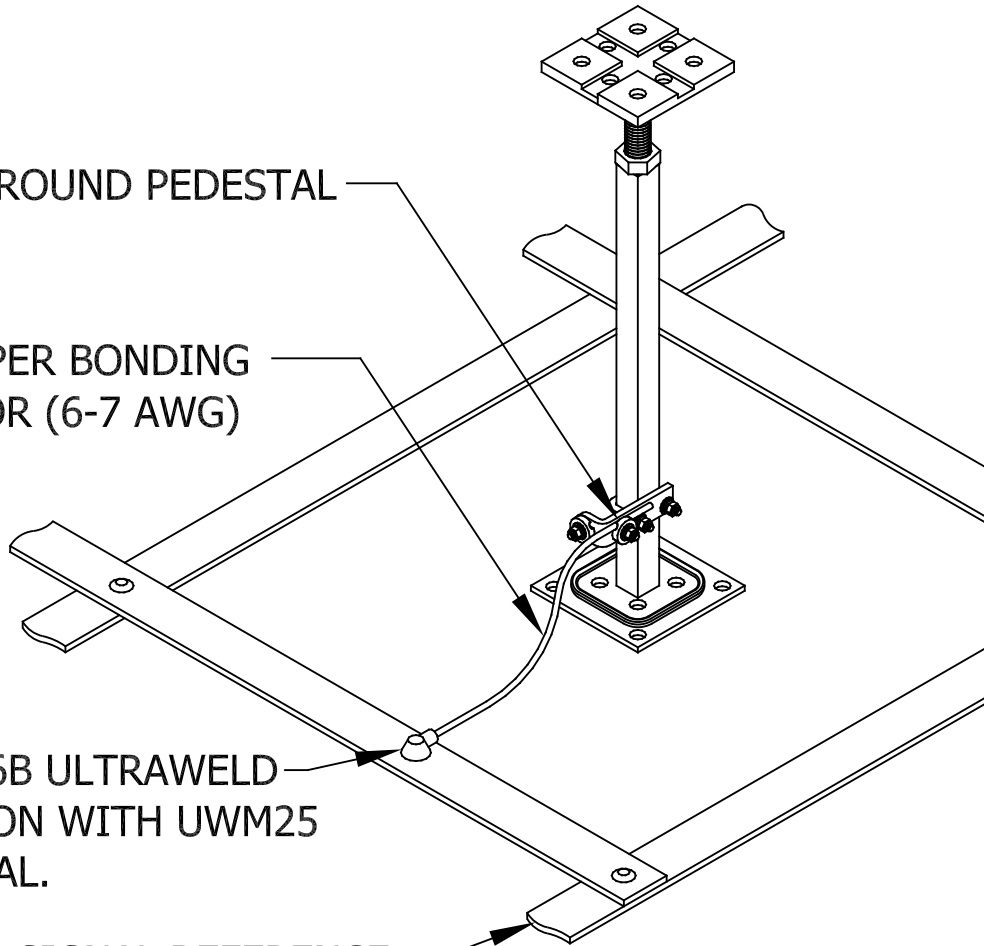


GPC6SQ, GROUND PEDESTAL CLAMP

NO. 6 COPPER BONDING CONDUCTOR (6-7 AWG)

BCF61.5016B ULTRAWELD CONNECTION WITH UWM25 WELD METAL.

FLAT STRIP SIGNAL REFERENCE GRID (SRG) 2"x0.016" COPPER STRIP ON 2' CENTER TYPICAL. VERIFY SIZE WITH HARGER PRIOR TO ORDERING.



## GPC RAISED FLOOR PEDESTAL GROUNDING

HARGER LIGHTNING & GROUNDING

847-548-8700 • 800-842-7437 • [www.harger.com](http://www.harger.com)