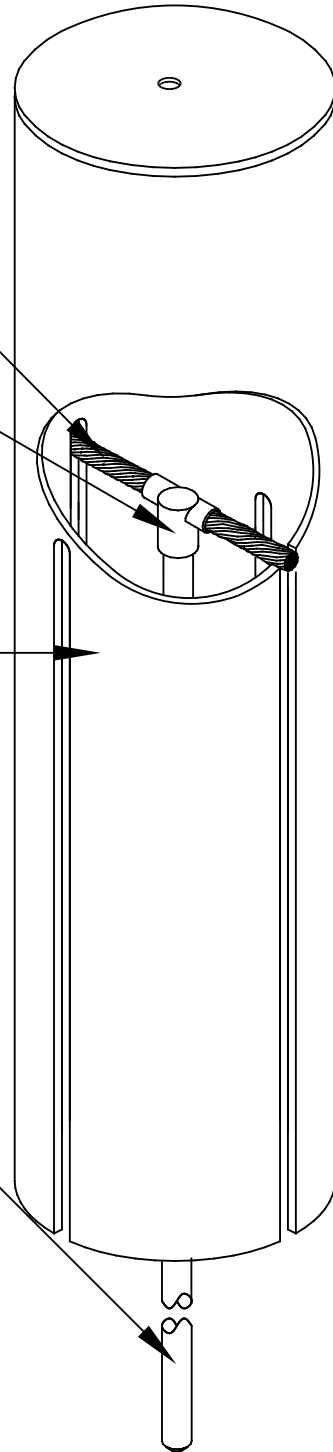


NO. 2T, SOFT DRAWN TINNED
SOLID COPPER CONDUCTOR

NO. GO582SB ULTRAWELD
CONNECTION WITH NO.
UWM90 WELDMETAL.

NO. 360P42 10"Ø x 42" GROUND
ACCESS WELL WITH A NO. 10PS
STEEL COVER.

NO. 5810, 5/8" x 10' COPPER
CLAD GROUND ROD



GO - ACCESS WELL DETAIL

HARGER LIGHTNING & GROUNDING

847-548-8700 • 800-842-7437 • www.harger.com