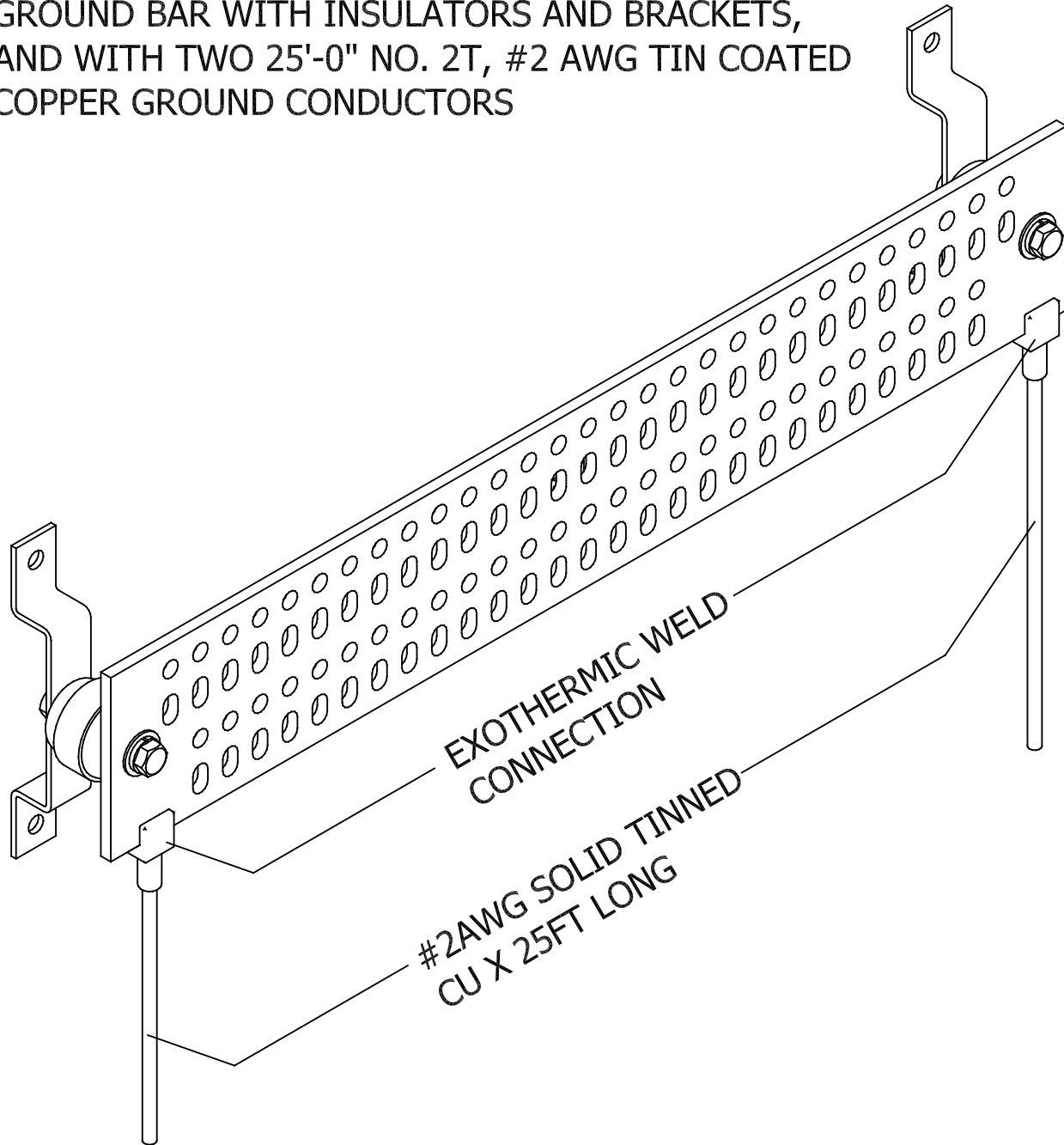


NO. GBIT14424M-22T, 1/4" x 4" x 24" SOLID COPPER
GROUND BAR WITH INSULATORS AND BRACKETS,
AND WITH TWO 25'-0" NO. 2T, #2 AWG TIN COATED
COPPER GROUND CONDUCTORS



NO. GBIT14424M22T GROUND BAR DETAIL

HARGER LIGHTNING & GROUNDING

847-548-8700 • 800-842-7437 • www.harger.com