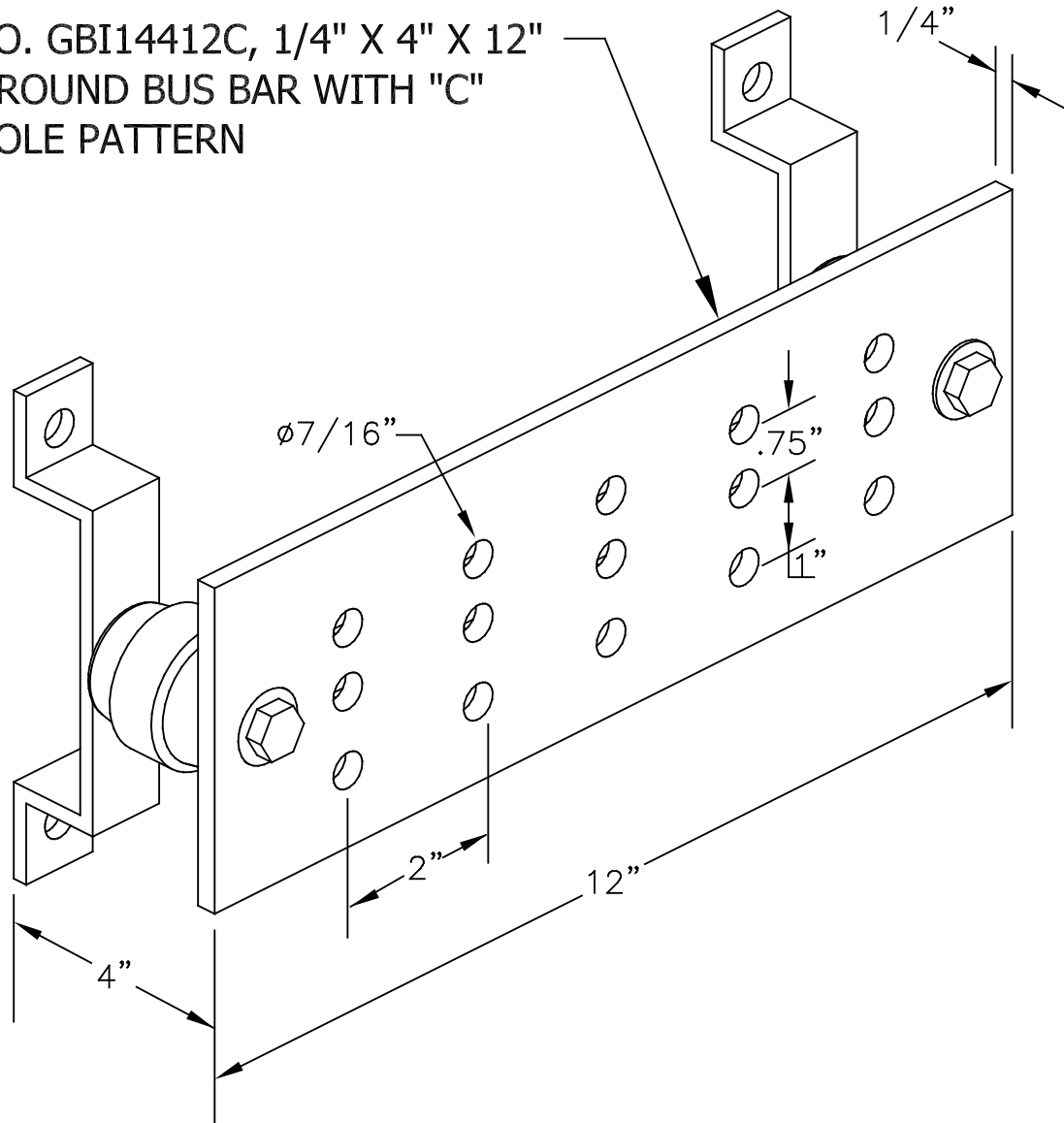


NO. GBI14412C, 1/4" X 4" X 12"  
GROUND BUS BAR WITH "C"  
HOLE PATTERN



## NO. GBI14412C GROUND BAR DETAIL

HARGER LIGHTNING & GROUNDING

847-548-8700 • 800-842-7437 • [www.harger.com](http://www.harger.com)