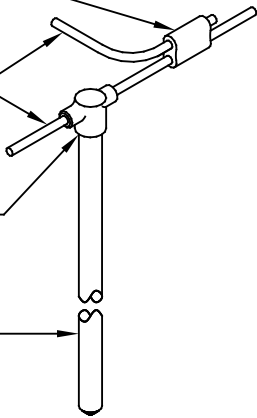


PT2S2SB ULTRAWELD CONNECTION WITH UWM65 WELD METAL

NO. 2T, #2 AWG SOLID TINNED COPPER GROUND CONDUCTOR (201 LBS. PER 1000')

GO582SB ULTRAWELD CONNECTION WITH UWM90 WELD METAL

NO. 5810, 5/8" X 10' COPPER CLAD GROUND ROD



GROUND ROD DETAIL "G"

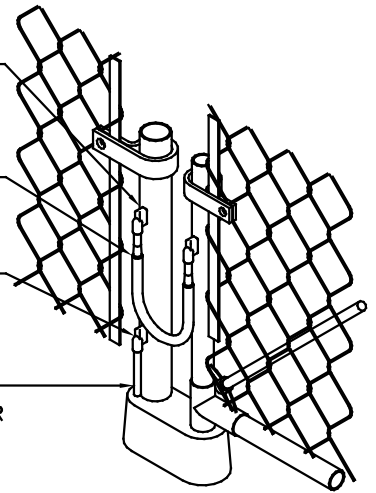
NTS

VA2SV1.5x4B ULTRAWELD CONNECTION WITH UWM45 WELD METAL

NO. GJX2S24, NO. 2 SOLID FLEXIBLE GATE JUMPER

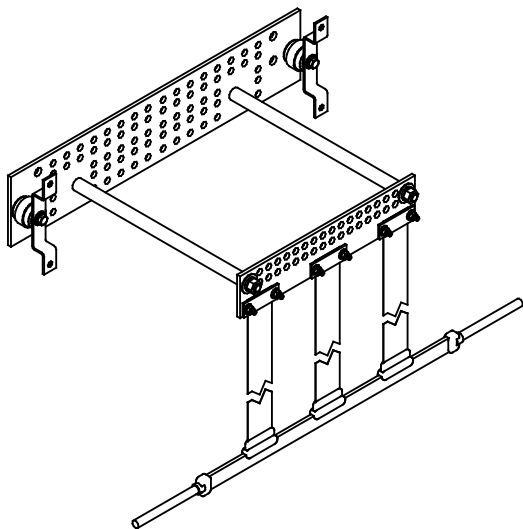
VA2SV1.5x4B ULTRAWELD CONNECTION WITH UWM45 WELD METAL

NO. 2T, #2 AWG SOLID TINNED COPPER CONDUCTOR 201 LBS. PER 1000'

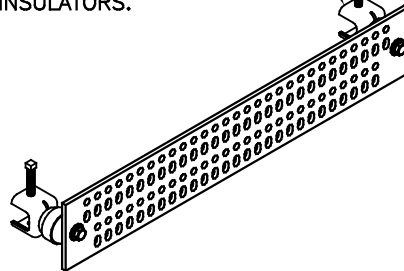


FENCE GROUNDING DETAIL "FG"

NTS



NO. GBIA14424M, 1/4" x 4" x 24" SOLID COPPER GROUND BAR WITH INSULATORS.



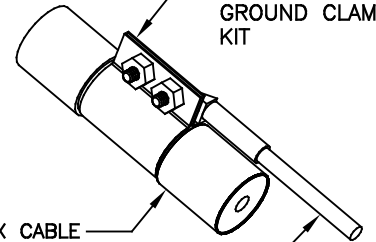
ENTRANCE PANEL DETAIL "EPK"

NTS

NO. CGKB SERIES, COAX CABLE GROUND CLAMP KIT

COAX CABLE

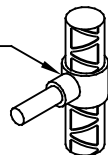
NO. 6 AWG. INSULATED SOFT DRAWN COPPER CONDUCTOR DOWN TO EXTERIOR GROUND BAR



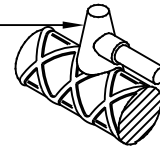
COAX GROUNDING DETAIL "CGK"

NTS

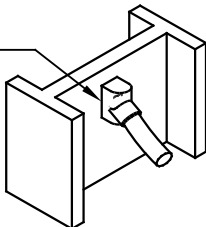
RE STYLE ULTRAWELD CONNECTION TO REBAR. VERIFY SIZE OF REBAR PRIOR TO ORDERING.



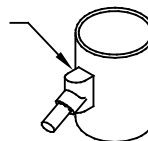
RP STYLE ULTRAWELD CONNECTION TO REBAR. VERIFY SIZE OF REBAR PRIOR TO ORDERING.



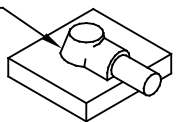
VA2SB ULTRAWELD CONNECTION WITH UWM45 WELD METAL CONNECT TO STRUCTURAL STEEL AT LOWEST AVAILABLE LOCATION



VA2SV1.5X4B ULTRAWELD CONNECTION WITH UWM45 WELD METAL CONNECT TO STEEL POST AT LOWEST AVAILABLE LOCATION



HD2SA ULTRAWELD CONNECTION WITH UWM45 WELD METAL CONNECT TO BASE OF STEEL AT LOWEST AVAILABLE LOCATION



ULTRAWELD DETAILS

NTS



LIGHTNING PROTECTION-GROUNDING-EXOTHERMIC
301 ZIEGLER DRIVE GRAYSLAKE, IL
60030 (847) 548-8700

TYPICAL WIRELESS COMMUNICATION SITE
EXTERIOR GROUNDING PLAN