

CPC Pipe Ground Clamps

- Casting manufactured from electro-tin plated bronze.
- Wider conductor range; #6 Solid through 250 MCM.
- Also used for pedestal grounding.
- Dual UL Listing (UL96 and UL467).
- Acceptable for direct burial.



Tamper Resistant



Pipe Range .5/75

Part No.	Tamper Resistant	Material	Nominal Pipe Size Range	Pipe Outside Diameter	Box Qty.	Approx. Box Wt. (lbs.)
CPC.5/75	No	Tinned Bronze	.5" - .75"	.375" - 1"	5	2-1/2
CPC.5/75TP	Yes	Tinned Bronze	.5" - .75"	.375" - 1"	5	2-1/2



Tamper Resistant



Pipe Range 1/1.25

Part No.	Tamper Resistant	Material	Nominal Pipe Size Range	Pipe Outside Diameter	Box Qty.	Approx. Box Wt. (lbs.)
CPC1/1.25	No	Tinned Bronze	1" - 1.25"	.75" - 1.7"	5	3
CPC1/1.25TP	Yes	Tinned Bronze	1" - 1.25"	.75" - 1.7"	5	3

- Feature "quick connect", bi-directional design.
- Pressed stud design ensures a flush mounting surface.



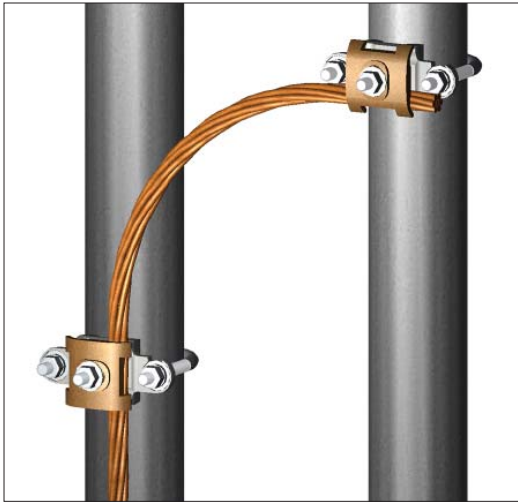
Tamper Resistant



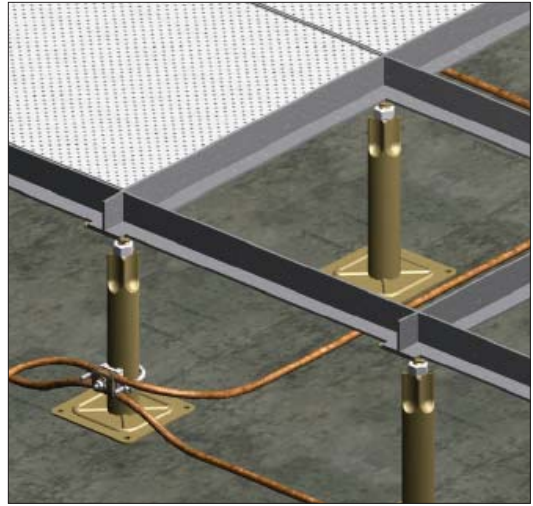
Pipe Range 1.5/2 - 5/6

Part No.	Tamper Resistant	Material	Nominal Pipe Size Range	Pipe Outside Diameter	Box Qty.	Approx. Box Wt. (lbs.)
CPC1.5/2	No	Tinned Bronze	1.5" - 2"	1" - 2.4"	5	3-3/4
CPC1.5/2TP	Yes	Tinned Bronze	1.5" - 2"	1" - 2.4"	5	3-3/4
CPC2.5/3	No	Tinned Bronze	2.5" - 3"	2.25" - 3.5"	5	5
CPC2.5/3TP	Yes	Tinned Bronze	2.5" - 3"	2.25" - 3.5"	5	5
CPC3.5/4	No	Tinned Bronze	3.5" - 4"	3.2" - 4.5"	5	6-1/4
CPC3.5/4TP	Yes	Tinned Bronze	3.5" - 4"	3.2" - 4.5"	5	6-1/4
CPC5/6	No	Tinned Bronze	5" - 6"	5.63" - 6.63"	5	8-3/4
CPC5/6TP	Yes	Tinned Bronze	5" - 6"	5.63" - 6.63"	5	8-3/4

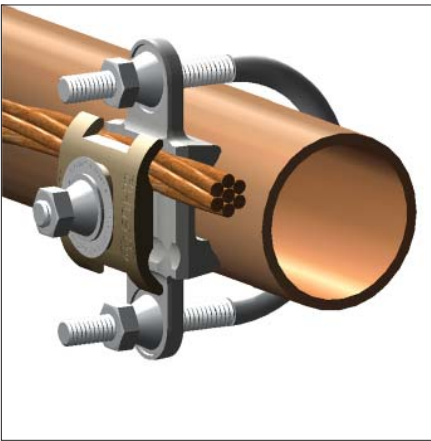
- Feature "quick connect", bi-directional design.
- Pressed stud design ensures a flush mounting surface.



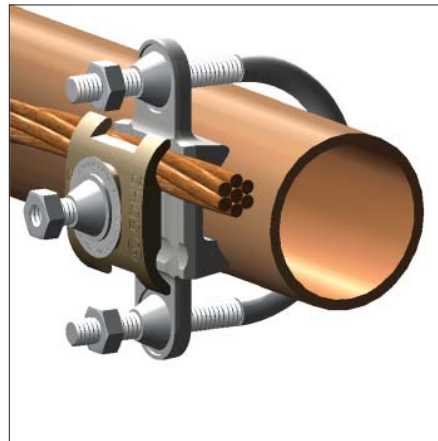
Bi-directional Design



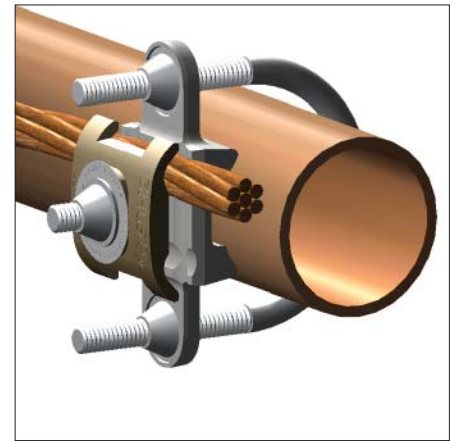
SRG Application



Tamper Resistant: Step 1



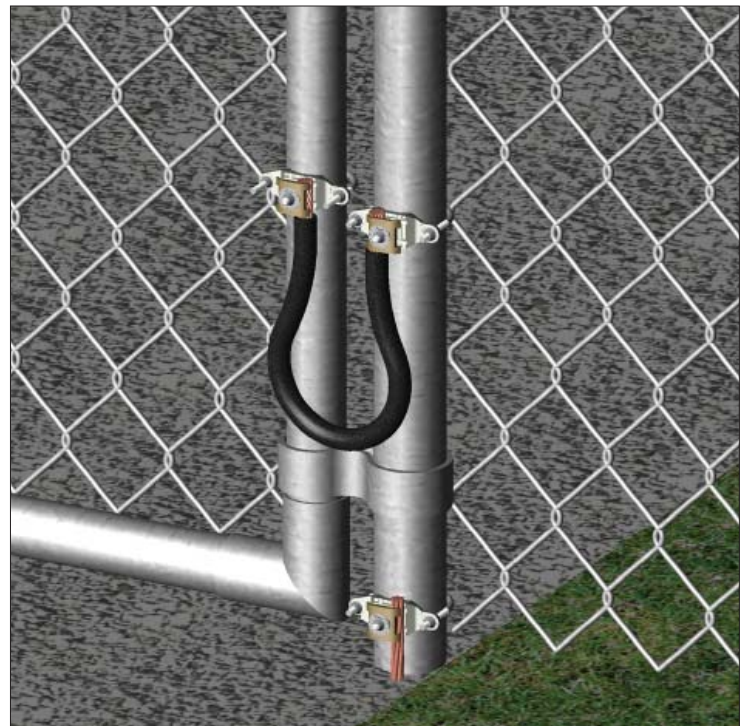
Tamper Resistant: Step 2



Tamper Resistant: Step 3



Fence Post Application



Fence Gate Application