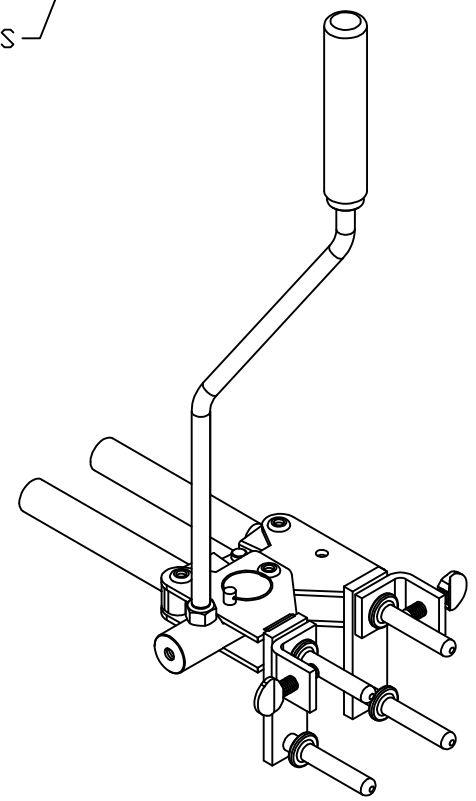
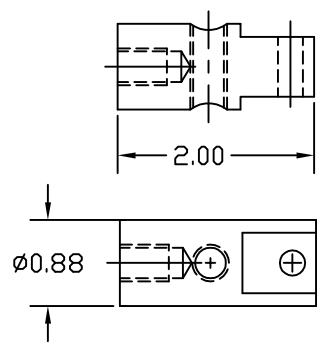


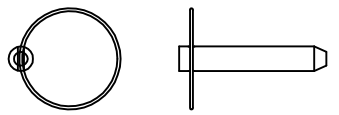
N616S



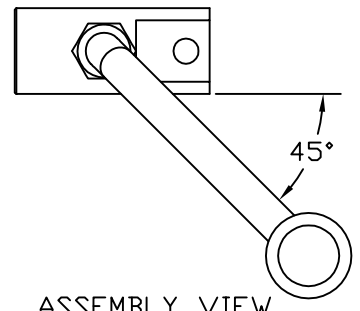
ASSEMBLY, HANDLE SET NOT INCLUDED



ADAPTER



QRP48



ASSEMBLY VIEW

MOLD HOLD DOWN KIT

APPROVED

AS DRAWN: _____
 AS NOTED: _____
 DATE: _____

THIS DOCUMENT AND THE CONTENTS THEREOF IS THE PROPERTY OF HARGER INC., AND IS FURNISHED TO YOU FOR INFORMATION ONLY. THE INFORMATION CONTAINED HEREIN IS CONFIDENTIAL AND OF A PROPRIETARY NATURE AND MUST NOT BE DISCLOSED TO THIRD PARTIES WITHOUT THE EXPRESS WRITTEN APPROVAL OF HARGER INC.

A	REDESIGN ECO 0085	110514	LAL
LET	REVISION	DATE	BY
TOLERANCES UNLESS NOTED:			
	FRACTIONAL	+/-	1/16
	.00	+/-	.010
	.000	+/-	.005

PART NO. UMHDKIT

DRAWN BY:
LAL
CHECKED BY:
DATE:
031704

HARGER™
 301 ZIEGLER DRIVE
 GRAYSLAKE, IL 60030
 (847) 548-8700

REVISION:
A
SCALE:
3/16
SHEET:
1 OF 1