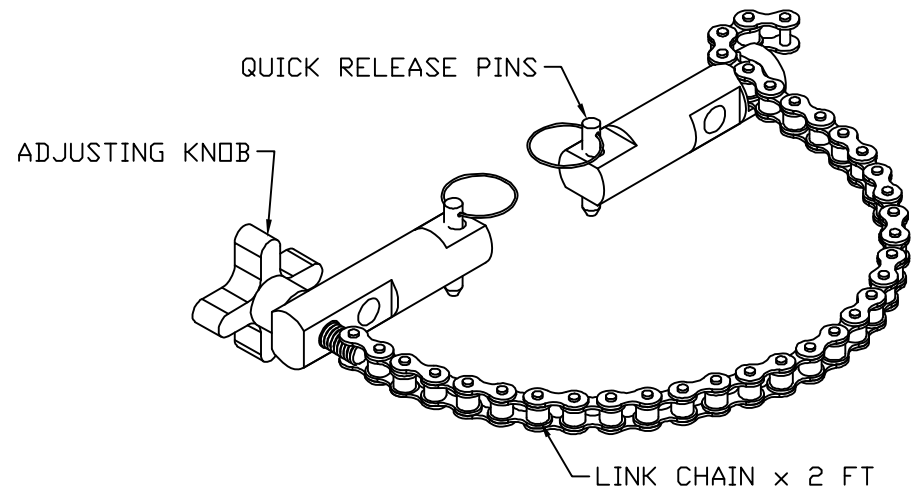
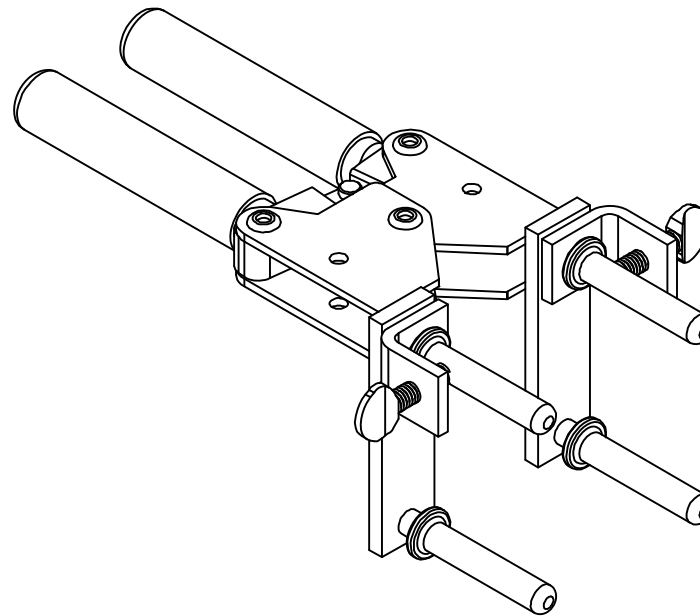


MAGNET SUPPORT KIT



CHAIN SUPPORT KIT



MH2 MOLD HANDLE CLAMP

MOLD HANDLE CLAMP KIT

EST WT 9#

APPROVED

AS DRAWN: _____
 AS NOTED: _____
 DATE: _____

THIS DOCUMENT AND THE CONTENTS THEREOF IS THE PROPERTY OF HARGER INC., AND IS FURNISHED TO YOU FOR INFORMATION ONLY. THE INFORMATION CONTAINED HEREIN IS CONFIDENTIAL AND OF A PROPRIETARY NATURE AND MUST NOT BE DISCLOSED TO THIRD PARTIES WITHOUT THE EXPRESS WRITTEN APPROVAL OF HARGER INC.

LET	REVISION	DATE	BY
TOLERANCES UNLESS NOTED:		3RD ANGLE PROJECTION	
FRACTIONAL	+/- 1/16		
.00	+/- .03		
.000	+/- .010		

PART NO. ULTRAMH2KIT
 MOLD HANDLE KIT

DRAWN BY:
 LAL
 CHECKED BY:
 DATE:
 031821



301 ZIEGLER DRIVE
 GRAYSLAKE, IL 60030
 (847) 548-8700

REVISION:
 -
 SCALE:
 3/8
 SHEET:
 1 OF 1