

#SSDCSO STAINLESS STEEL DOWN CONDUCTOR STANDOFF

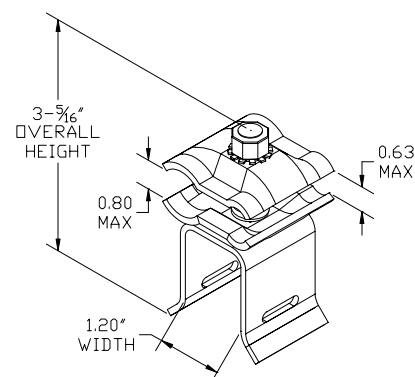
DESCRIPTION

- Range taking down conductor cable clamp with tower standoff.
- The small side of the clamp accommodates bare stranded conductors from #6 up to 2/0 AWG while the large side accommodates from 2/0 to 4/0 AWG.
- The small side of the clamp accommodates insulated conductors from #8 up to 2/0 AWG while the large side accommodates from #1 up to 4/0 AWG.
- Manufactured from stainless steel to allow use with any type of wire.
- Available with stainless steel hose clamps in a variety of sizes – contact factory.

APPLICATIONS

- The fast, easy and economical way to attach down conductors to round tower members.

Catalog No.	Box Qty.	Approx. Box Wt. (lbs)
SSDCSO	5	3-1/2



301 Ziegler Drive, Grayslake, IL 60030
 847-548-8700 • 800-842-7437 • Fax: 847-548-8755
 Web-site: www.harger.com • E-mail: hargersales@harger.com