

#4/0-19 STRANDED
CU BARE X 5 FT

BRASS PLUG

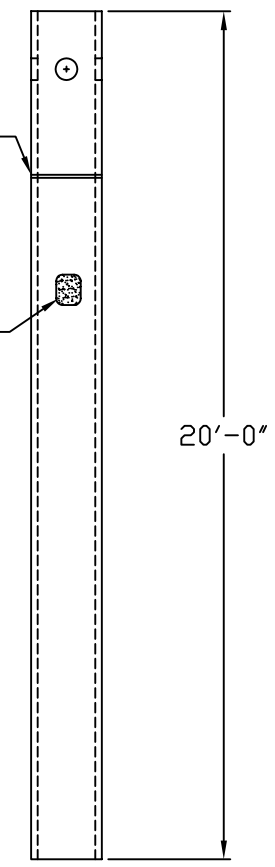
UL LABEL

"BURY TO HERE"
LINE - GREEN TAPE

EXOTHERMIC WELD

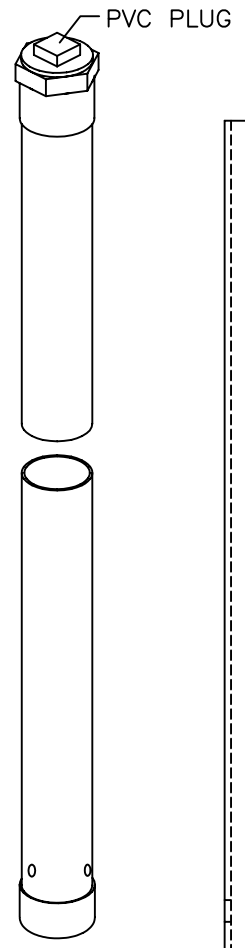
PVC CAP

TOP PIECE
OF SEGR404/0
NTS



SIDE VIEW
OF TOP PIPE
NTS

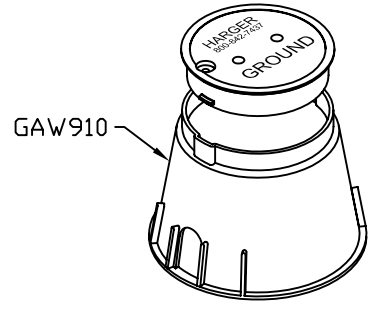
SECTIONAL CU VERTICAL
ENHANCED GROUND ROD



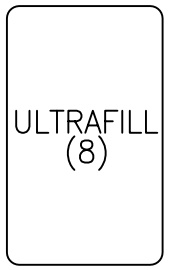
PVC PLUG

SIDE VIEW
OF BOTTOM PIPE
NTS

BOTTOM PIECE
OF SEGR404/0
NTS



GAW910



ULTRAFILL
(8)

GROUND ACCESS WELL
& ULTRAFILL
NTS

EST. WEIGHT 551.8 LBS

APPROVED

AS DRAWN: _____
 AS NOTED: _____
 DATE: _____

THIS DOCUMENT AND THE CONTENTS THEREOF IS THE PROPERTY OF HARGER INC., AND IS FURNISHED TO YOU FOR INFORMATION ONLY. THE INFORMATION CONTAINED HEREIN IS CONFIDENTIAL AND OF A PROPRIETARY NATURE AND MUST NOT BE DISCLOSED TO THIRD PARTIES WITHOUT THE EXPRESS WRITTEN APPROVAL OF HARGER INC.

LET	REVISION	DATE	BY
-	-	-	-
TOLERANCES UNLESS NOTED:			
FRACTIONAL	+/- 1/16	3RD ANGLE PROJECTION	
.00	+/- .030		
.000	+/- .010		

PART NO. SEGR40WG4/0
SECTIONAL ENHANCED VERTICAL CU GROUND ROD

DRAWN BY:
LAL
CHECKED BY:
-
DATE:
011602



301 ZIEGLER DRIVE
GRAYSLAKE, IL 60030
(847) 548-8700

REVISION:
-
SCALE:
NTS
SHEET:
1 OF 1