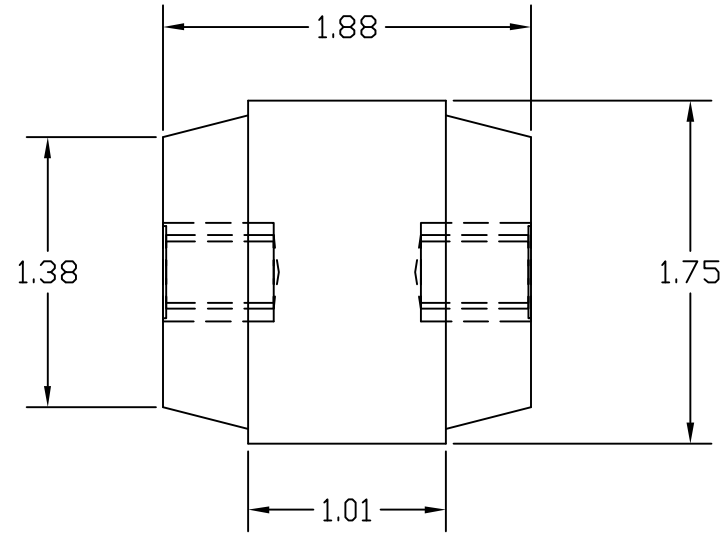
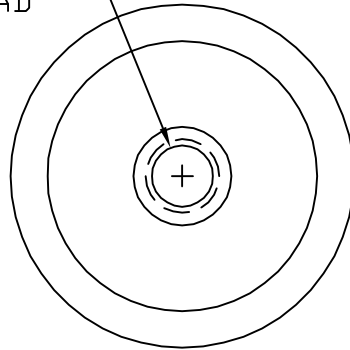


ALUMINUM INSERT
3/8-16 x 9/16
DEEP THREAD



ROUND STANDOFF INSULATOR
2000V INDOOR RATING

- NOTES:
1. GLASS REINFORCED THERMOSET POLYESTER MATERIAL.
2. RECOGNITION UNDER UL67.
3. FLAME RESISTANCE UNDER UL SUBJECT 94.

EST. WEIGHT 0.2 LBS

APPROVED

AS DRAWN: _____
 AS NOTED: _____
DATE: _____

THIS DOCUMENT AND THE CONTENTS THEREOF IS THE PROPERTY OF HARGER INC., AND IS FURNISHED TO YOU FOR INFORMATION ONLY. THE INFORMATION CONTAINED HEREIN IS CONFIDENTIAL AND OF A PROPRIETARY NATURE AND MUST NOT BE DISCLOSED TO THIRD PARTIES WITHOUT THE EXPRESS WRITTEN APPROVAL OF HARGER INC.

B	WAS 1.5 OAL, 1500V 3/8 DEEP THREAD	061708	LAL
A	UPDATED DWG	072503	WSM
LET	REVISION	DATE	BY
TOLERANCES UNLESS NOTED:		3RD ANGLE PROJECTION	
FRACTIONAL	+/- 1/16		
.00	+/- .030		
.000	+/- .010		

PART NO. R4150A4
ROUND INSULATOR

DRAWN BY:
LAL
CHECKED BY:
-
DATE:
080197



301 ZIEGLER DRIVE
GRAYSLAKE, IL 60030
(847) 548-8700

REVISION:
B
SCALE:
FULL
SHEET:
1 OF 1