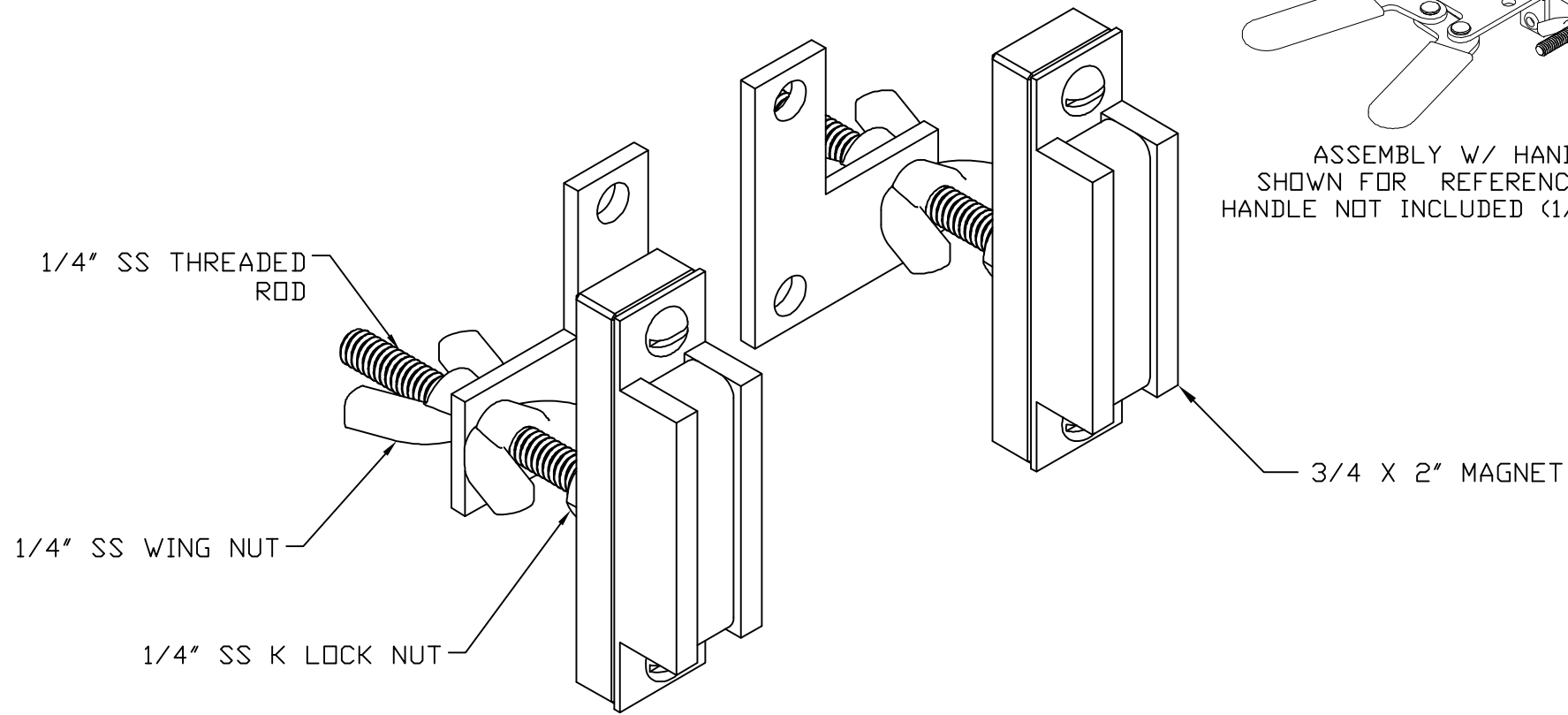


ASSEMBLY W/ HANDLE  
SHOWN FOR REFERENCE ONLY  
HANDLE NOT INCLUDED (1/4 SCALE)



1/4" SS THREADED ROD

1/4" SS WING NUT

1/4" SS K LOCK NUT

3/4 X 2" MAGNET

**MOLD HANDLE MAGNETIC SUPPORT KIT**

EST WT 0.82#

**APPROVED**

AS DRAWN: \_\_\_\_\_  
 AS NOTED: \_\_\_\_\_  
 DATE: \_\_\_\_\_

THIS DOCUMENT AND THE CONTENTS THEREOF IS THE PROPERTY OF HARGER INC., AND IS FURNISHED TO YOU FOR INFORMATION ONLY. THE INFORMATION CONTAINED HEREIN IS CONFIDENTIAL AND OF A PROPRIETARY NATURE AND MUST NOT BE DISCLOSED TO THIRD PARTIES WITHOUT THE EXPRESS WRITTEN APPROVAL OF HARGER INC.

LET	REVISION	DATE	BY
-	-	-	-
TOLERANCES UNLESS NOTED:		3RD ANGLE PROJECTION	
FRACTIONAL +/- 1/16			
.00 +/- .03			
.000 +/- .010			

**PART NO. MSKITH3**  
MH3 MAGNETIC SUPPORT KIT

DRAWN BY:  
**GTE**  
CHECKED BY:  
DATE:  
012521

**HARGER**  
301 ZIEGLER DRIVE  
GRAYSLAKE, IL 60030  
(847) 548-8700

REVISION:  
-  
SCALE:  
FULL  
SHEET:  
1 OF 1