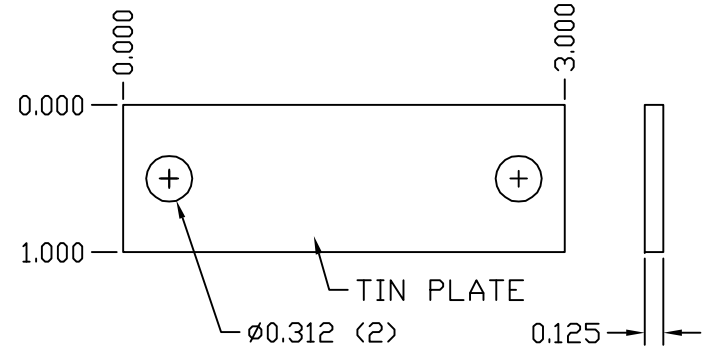
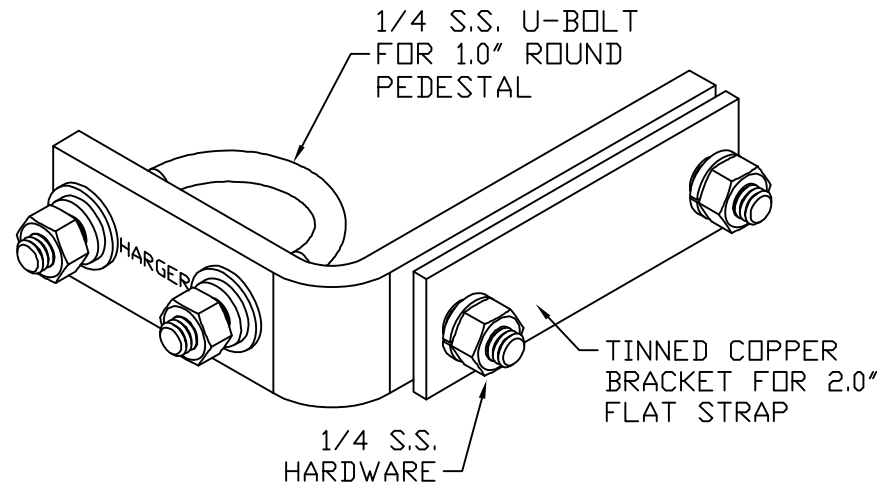
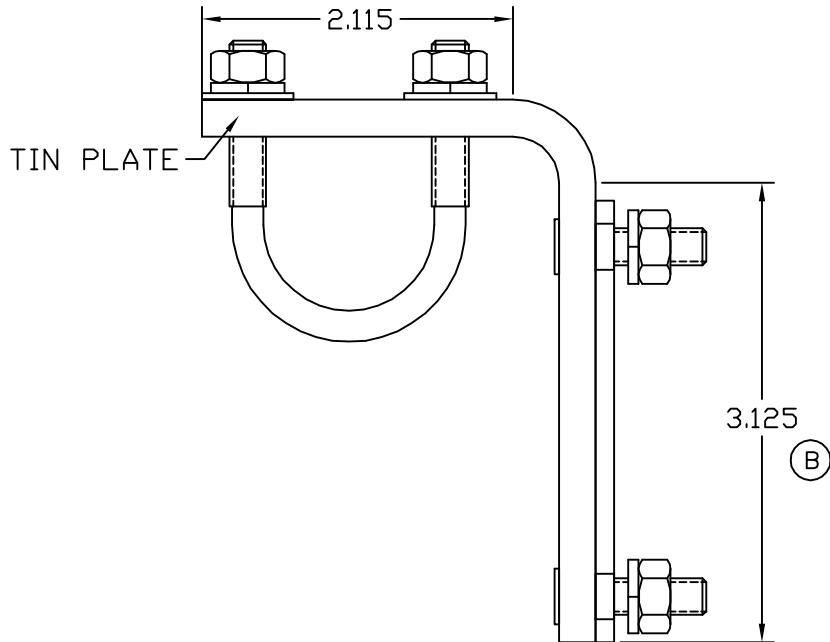


**COPPER BRACKET
FLAT LAYOUT**



COPPER SANDWICH PLATE



GROUND PEDESTAL CLAMP

EST WT 0.8#

APPROVED

AS DRAWN: _____
 AS NOTED: _____
 DATE: _____

THIS DOCUMENT AND THE CONTENTS THEREOF IS THE PROPERTY OF HARGER INC., AND IS FURNISHED TO YOU FOR INFORMATION ONLY. THE INFORMATION CONTAINED HEREIN IS CONFIDENTIAL AND OF A PROPRIETARY NATURE AND MUST NOT BE DISCLOSED TO THIRD PARTIES WITHOUT THE EXPRESS WRITTEN APPROVAL OF HARGER INC.

B	WAS 3.00	072503	LAL
A	ADDED PACKAGING NOTE	052703	EHS
LET	REVISION	DATE	BY
TOLERANCES UNLESS NOTED:		3RD ANGLE PROJECTION	
FRACTIONAL +/- 1/16			
DECIMAL +/- .030			
BREAK SHARP EDGES			

PART NO. GPC2FSRD
GROUND PEDESTAL CLAMP

DRAWN BY:
DVBV
CHECKED BY:



301 ZIEGLER DRIVE
GRAYSLAKE, IL 60030
(847) 548-8700

DATE:
101806

REVISION:
-
SCALE:
3/4
SHEET:
1 OF 1