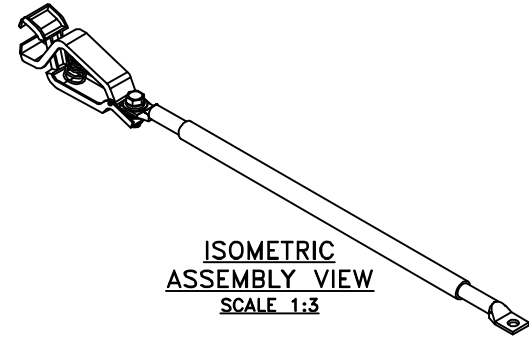
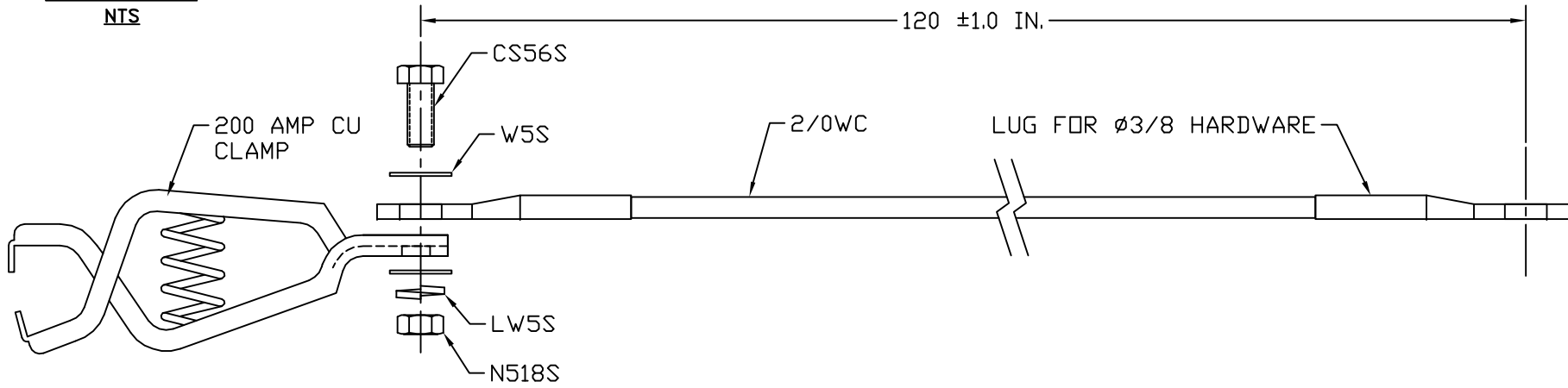


IN USE VIEW
NTS



ISOMETRIC
ASSEMBLY VIEW
SCALE 1:3



GROUND JUMPER ASSEMBLY

EST WT 6.2#

APPROVED

AS DRAWN: _____
 AS NOTED: _____
 DATE: _____

THIS DOCUMENT AND THE CONTENTS THEREOF IS THE PROPERTY OF HARGER INC., AND IS FURNISHED TO YOU FOR INFORMATION ONLY. THE INFORMATION CONTAINED HEREIN IS CONFIDENTIAL AND OF A PROPRIETARY NATURE AND MUST NOT BE DISCLOSED TO THIRD PARTIES WITHOUT THE EXPRESS WRITTEN APPROVAL OF HARGER INC.

LET	REVISION	DATE	BY
-	-	-	-
TOLERANCES UNLESS NOTED: FRACTIONAL +/- 1/16 DECIMAL +/- .030 BREAK SHARP EDGES			

PART NO. GJ2/OWC120BEMA
 STATIC GROUND JUMPER

DRAWN BY:
BK
 CHECKED BY:
 DATE:
081506



301 ZIEGLER DRIVE
 GRAYSLAKE, IL 60030
 (847) 548-8700

REVISION:
-
 SCALE:
1/2
 SHEET:
1 OF 1