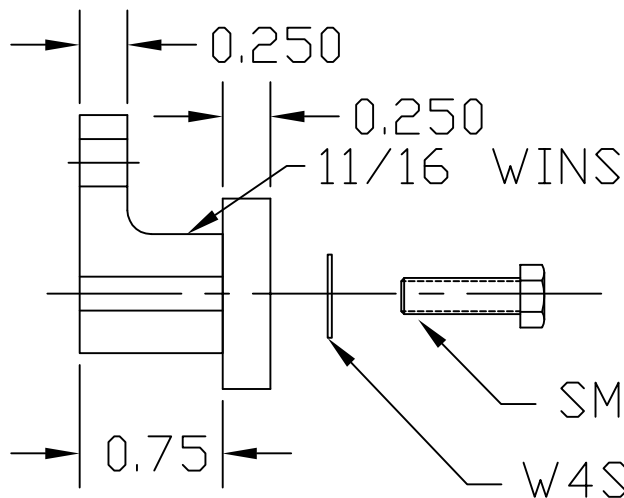
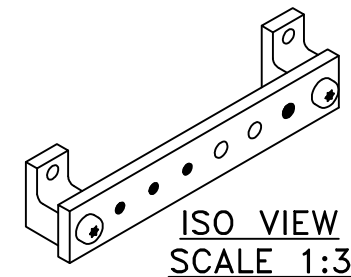


GROUND BAR ASSEMBLY



HARDWARE DETAIL: NTS

SMS0126SHWZ

W4S

EST WEIGHT 0.5 LBS

APPROVED

AS DRAWN: _____
 AS NOTED: _____
 DATE: _____

THIS DOCUMENT AND THE CONTENTS THEREOF IS THE PROPERTY OF HARGER INC., AND IS FURNISHED TO YOU FOR INFORMATION ONLY. THE INFORMATION CONTAINED HEREIN IS CONFIDENTIAL AND OF A PROPRIETARY NATURE AND MUST NOT BE DISCLOSED TO THIRD PARTIES WITHOUT THE EXPRESS WRITTEN APPROVAL OF HARGER INC.

-	-	-	-
-	-	-	-
-	-	-	-
-	-	-	-
-	-	-	-
LET	REVISION	DATE	BY
TOLERANCES UNLESS NOTED:		3RD ANGLE PROJECTION	
FRACTIONAL	+/- 1/16		
.00	+/- .030		
.000	+/- .010		

PART NO. GBIS1416CGB
 1/4 X 1 X 6 IN CU GROUND BAR

DRAWN BY: DVBV
 CHECKED BY: -
 DATE: 092807



301 ZIEGLER DRIVE
 GRAYSLAKE, IL 60030
 (847) 548-8700

REVISION: -
 SCALE: FULL
 SHEET: 1 OF 1