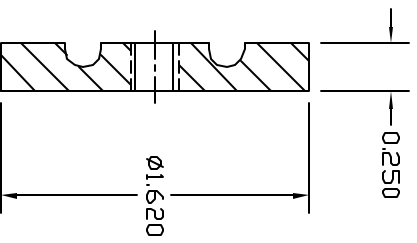
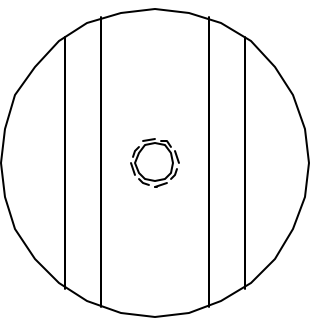


NOTE: TIN PLATE



(A)

THIS DOCUMENT AND THE CONTENTS THEREOF IS THE PROPERTY OF HARGER INC., AND IS FURNISHED TO YOU FOR INFORMATION ONLY. THE INFORMATION CONTAINED HEREIN IS CONFIDENTIAL AND OF A PROPRIETARY NATURE AND MUST NOT BE DISCLOSED TO THIRD PARTIES WITHOUT THE EXPRESS WRITTEN APPROVAL OF HARGER INC.

LET	REVISION	DATE	BY
A	ADD H5 TAP NOTE	081704	EHS
TOLERANCES UNLESS NOTED: FRACTIONAL +/- 1/64 .00 +/- .010 .000 +/- .005			

PART NO. FG2-4/0
FENCE GROUND CLAMP #2 STR. & 4/0 STR.

DRAWN BY: LAL	CHECKED BY: LAL	DATE: 082500
---------------	-----------------	--------------

HARGER
301 ZIEGLER DRIVE
GRAYSLAKE, IL 60030
(847) 548-8700

REVISION: A	SCALE: FULL
SHEET: 1	OF: 1