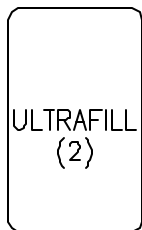
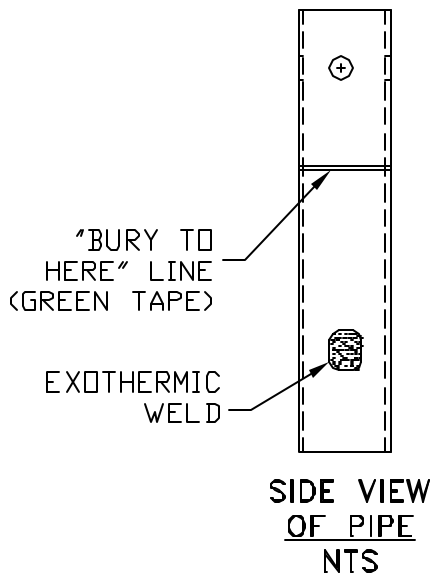
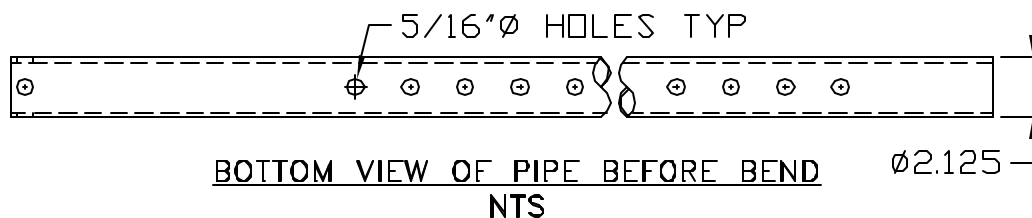
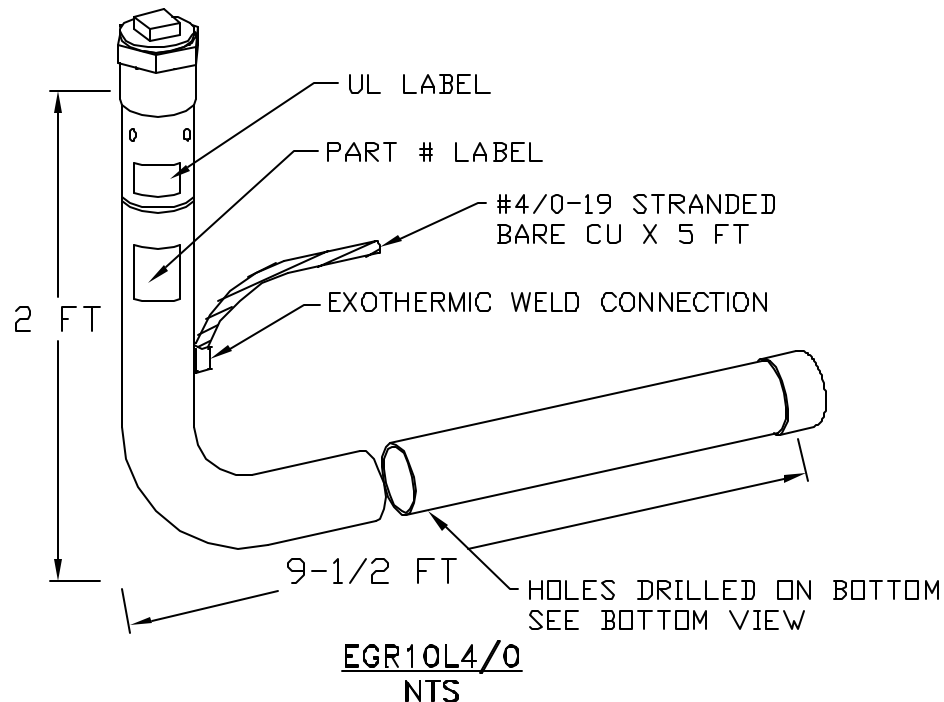




GROUND ACCESS WELL
NTS



ULTRAFILL
NTS



CU L SHAPED
ENHANCED GROUND ROD

EST. WEIGHT 148 LBS

APPROVED

AS DRAWN: _____

AS NOTED: _____

DATE: _____

THIS DOCUMENT AND THE CONTENTS THEREOF IS THE PROPERTY OF HARGER INC., AND IS FURNISHED TO YOU FOR INFORMATION ONLY. THE INFORMATION CONTAINED HEREIN IS CONFIDENTIAL AND OF A PROPRIETARY NATURE AND MUST NOT BE DISCLOSED TO THIRD PARTIES WITHOUT THE EXPRESS WRITTEN APPROVAL OF HARGER INC.

-	-	-	-
C	REDESIGNED FOR BENDER	090408	DVB
B	WAS 360PP12	092800	KAB
A	WAS CGR10LWG2/0	083108	KAB
LET	REVISION	DATE	BY
TOLERANCES UNLESS NOTED:		3RD ANGLE PROJECTION	
FRACTIONAL	+/- 1/16		
.00	+/- .030		
.000	+/- .010		

PART NO. EGR10LWG4/0
ENHANCED CU L SHAPED GROUND ROD

DRAWN BY: KAB
CHECKED BY: _____
DATE: 052600



301 ZIEGLER DRIVE
GRAYSLAKE, IL 60030
(847) 548-8700

REVISION: C
SCALE: NTS
SHEET: 1 OF 1