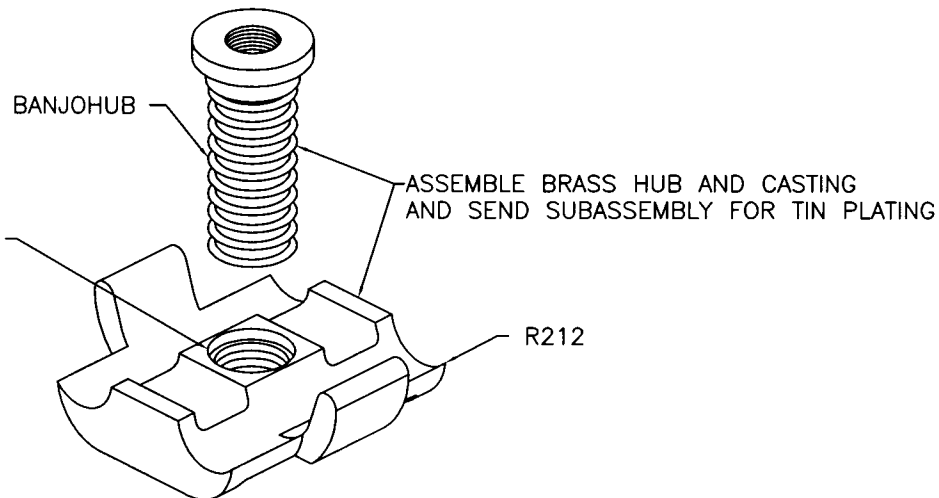
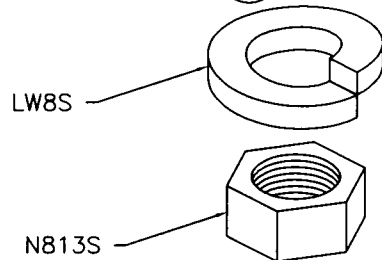


ASSEMBLY



©



LET	REVISION	DATE	BY
D	CHANGE TO PRE-TINNED CAP CASTING	040502	EHS
C	ADDED BANJOHUB TO BOM	031301	LAL
B	ADDED TIN TO CAP	022001	LAL
A	ADDED BOM	031300	LAL

TOLERANCES UNLESS NOTED:  
 FRACTIONAL +/- 1/64  
 .00 +/- .010  
 .000 +/- .005

PART NO. BJC  
 TINNED BANJO CLAMP

DRAWN BY:  
 LAL  
 CHECKED BY:  
 DATE:  
 111497

**HARGER**  
 301 ZIEGLER DRIVE  
 GRAYSLAKE, IL 60030  
 (847) 548-8700

REVISION:  
 D  
 SCALE  
 FULL  
 SHEET:  
 1 OF 1