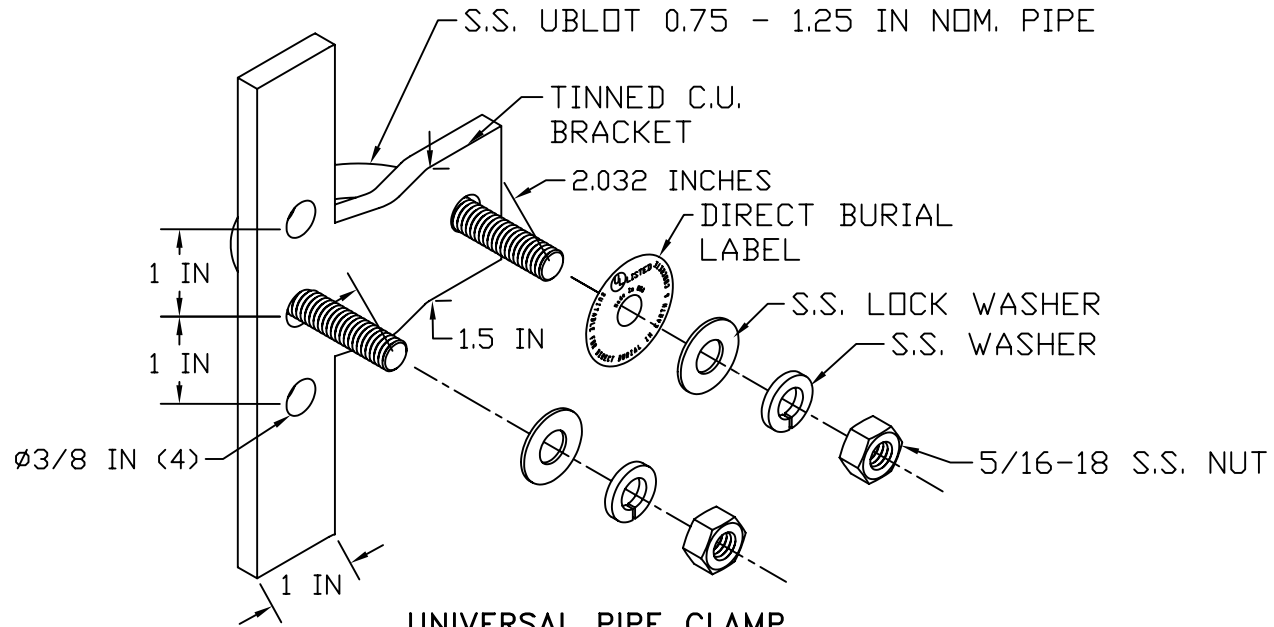




DIRECT BURIAL LABEL
SCALE 1.5X



UNIVERSAL PIPE CLAMP
0.75 - 1.25 IN NOMINAL PIPE
ASSEMBLY VIEW
(SHIPS UNASSEMBLED)

EST. WEIGHT 0.9 LBS

APPROVED

AS DRAWN: _____
 AS NOTED: _____
DATE: _____

THIS DOCUMENT AND THE CONTENTS THEREOF IS THE PROPERTY OF HARGER INC., AND IS FURNISHED TO YOU FOR INFORMATION ONLY. THE INFORMATION CONTAINED HEREIN IS CONFIDENTIAL AND OF A PROPRIETARY NATURE AND MUST NOT BE DISCLOSED TO THIRD PARTIES WITHOUT THE EXPRESS WRITTEN APPROVAL OF HARGER INC.

-	-	-	-
D	MADE BRKT FROM RAW MATERIAL BROKE OUT FOR SPERATE WORK ORDER	011708	DVB
C	ADDED DIR. BURIAL LABEL	112007	DVB
B	ADDED LW5S (2)	090899	KAB
A	ADDED P/N UBOLT2.032	072199	KAB
LET	REVISION	DATE	BY
TOLERANCES UNLESS NOTED:		3RD ANGLE PROJECTION	
FRACTIONAL +/- 1/64		⊕	
.00 +/- .010		⊖	
.000 +/- .005		⊗	

PART NO. UPC.75/1.25
UNIVERSAL PIPE CLAMP FITS NOM 0.75 - 1.25 IN PIPE

DRAWN BY:
LAL
CHECKED BY:
-
DATE:
041398



301 ZIEGLER DRIVE
GRAYSLAKE, IL 60030
(847) 548-8700

REVISION:
D
SCALE:
5/9
SHEET:
1 OF 1