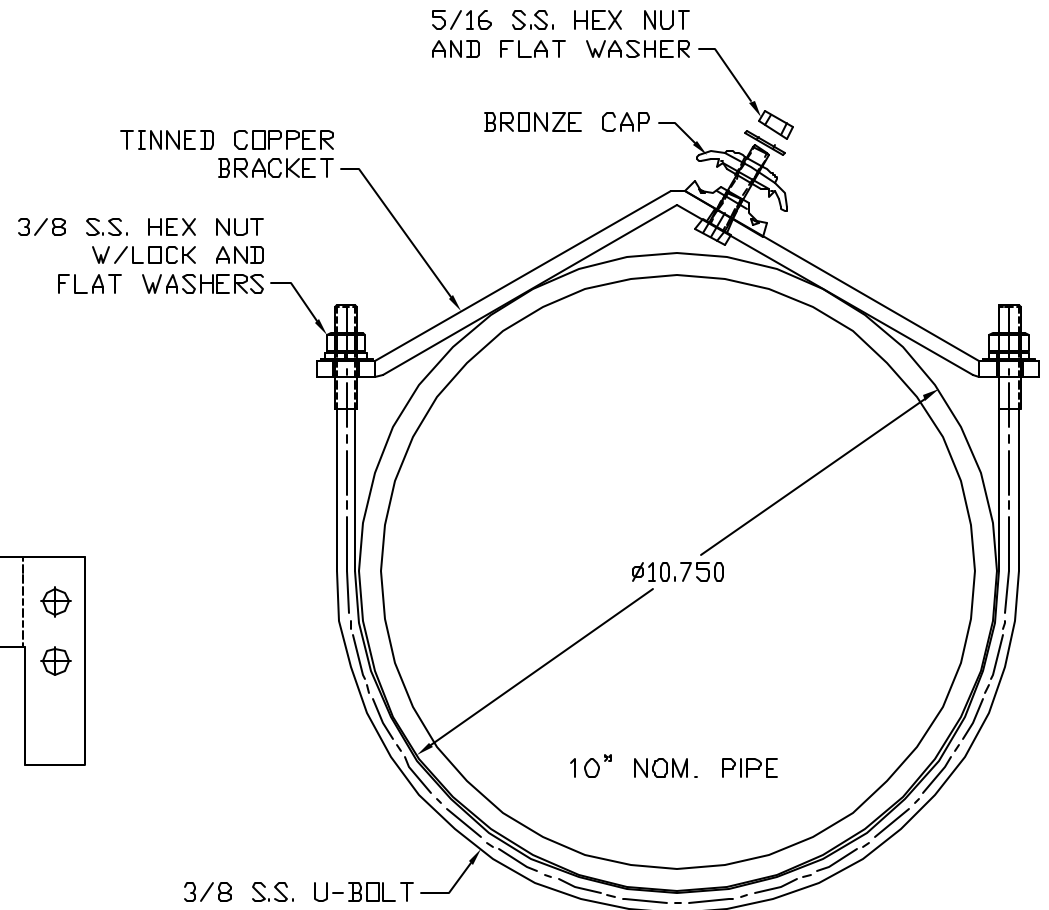


BRACKET: 1/4 COPPER BAR BRIGHT TINNED



EST WT 3.0#

APPROVED

AS DRAWN: \_\_\_\_\_  
 AS NOTED: \_\_\_\_\_  
 DATE: \_\_\_\_\_

THIS DOCUMENT AND THE CONTENTS THEREOF IS THE PROPERTY OF HARGER INC., AND IS FURNISHED TO YOU FOR INFORMATION ONLY. THE INFORMATION CONTAINED HEREIN IS CONFIDENTIAL AND OF A PROPRIETARY NATURE AND MUST NOT BE DISCLOSED TO THIRD PARTIES WITHOUT THE EXPRESS WRITTEN APPROVAL OF HARGER INC.

A	CLAMP WAS ON OTHER SIDE	112502	EHS
LET	REVISION	DATE	BY
TOLERANCES UNLESS NOTED:			
	FRACTIONAL	+/-	1/64
	.00	+/-	.010
	.000	+/-	.005

PART NO. UPC10C  
 UNIVERSAL PIPE CLAMP

DRAWN BY:  
 LAL  
 CHECKED BY:  
 DATE:  
 110602



301 ZIEGLER DRIVE  
 GRAYSLAKE, IL 60030  
 (847) 548-8700

REVISION:  
 A  
 SCALE:  
 5/16  
 SHEET:  
 1 OF 1