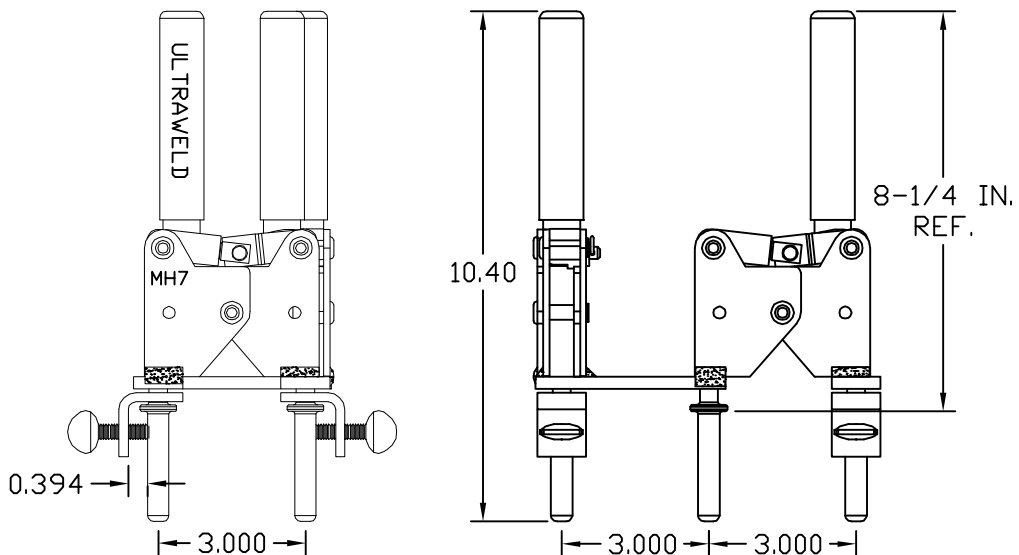
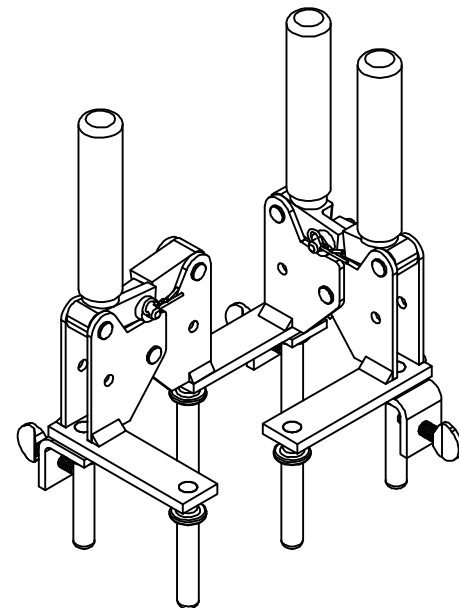
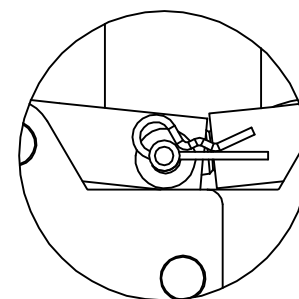
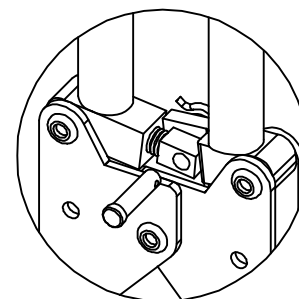


RIVETING DETAIL



ASSEMBLY DETAIL



EST WT 5#

APPROVED

AS DRAWN: _____
 AS NOTED: _____
 DATE: _____

THIS DOCUMENT AND THE CONTENTS THEREOF IS THE PROPERTY OF HARGER INC., AND IS FURNISHED TO YOU FOR INFORMATION ONLY. THE INFORMATION CONTAINED HEREIN IS CONFIDENTIAL AND OF A PROPRIETARY NATURE AND MUST NOT BE DISCLOSED TO THIRD PARTIES WITHOUT THE EXPRESS WRITTEN APPROVAL OF HARGER INC.

C	ECO 0189 REMOVE IGN	052819	WBD
B	ENGRAVE PN ECO 0185	040319	WBD
A	ADDED IGNITER	072816	LAL
LET	REVISION	DATE	BY
TOLERANCES UNLESS NOTED:			
	FRACTIONAL	+/- 1/16	
	.00	+/- .030	
	.000	+/- .010	

PART NO. MH7
 MOLD HANDLE

DRAWN BY:
 LAL
 CHECKED BY:
 DATE:
 081415



301 ZIEGLER DRIVE
 GRAYSLAKE, IL 60030
 (847) 548-8700

REVISION:
 C
 SCALE:
 1/4
 SHEET:
 1 OF 1